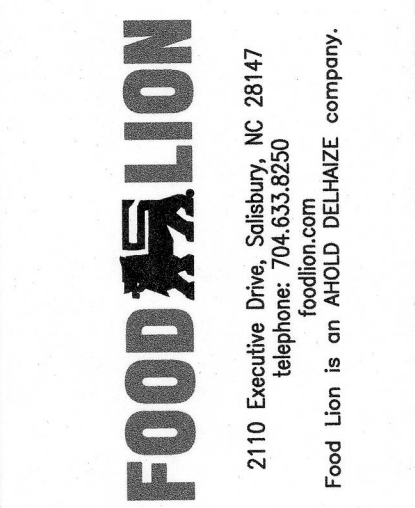


REVISIONS	NO	DATE	REMARKS

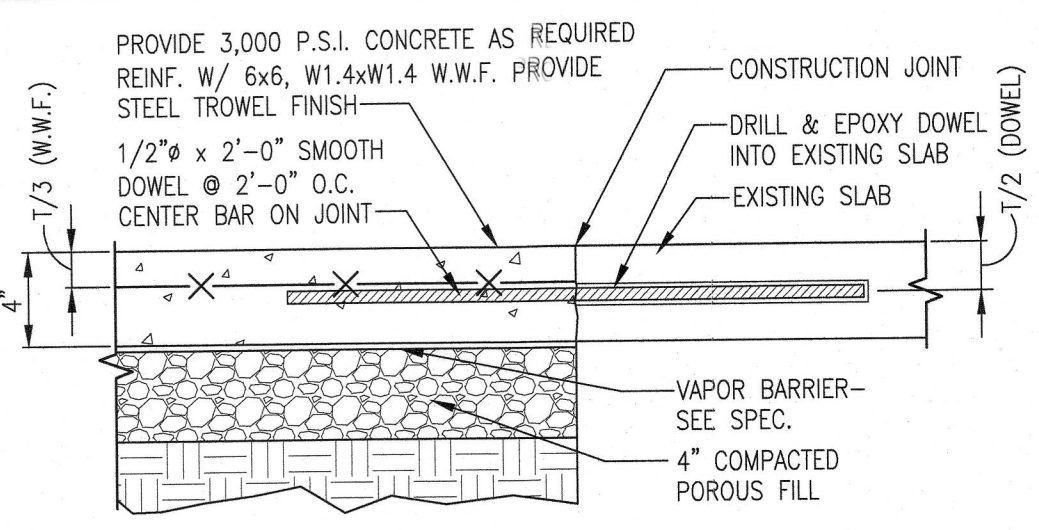


**FOOD LION**  
REMODEL  
STORE #2839  
860 PARRIS ISLAND GTWY  
BEAUFORT, SC 29906

PROJECT NO: 2021.1218  
DATE: 7/5/22

22 OF 54  
**A5.01**  
MISCELLANEOUS DETAILS

CHECKED: DNC DRAWN: EC  
DATE: 07/01/2022 5:23:53 PM

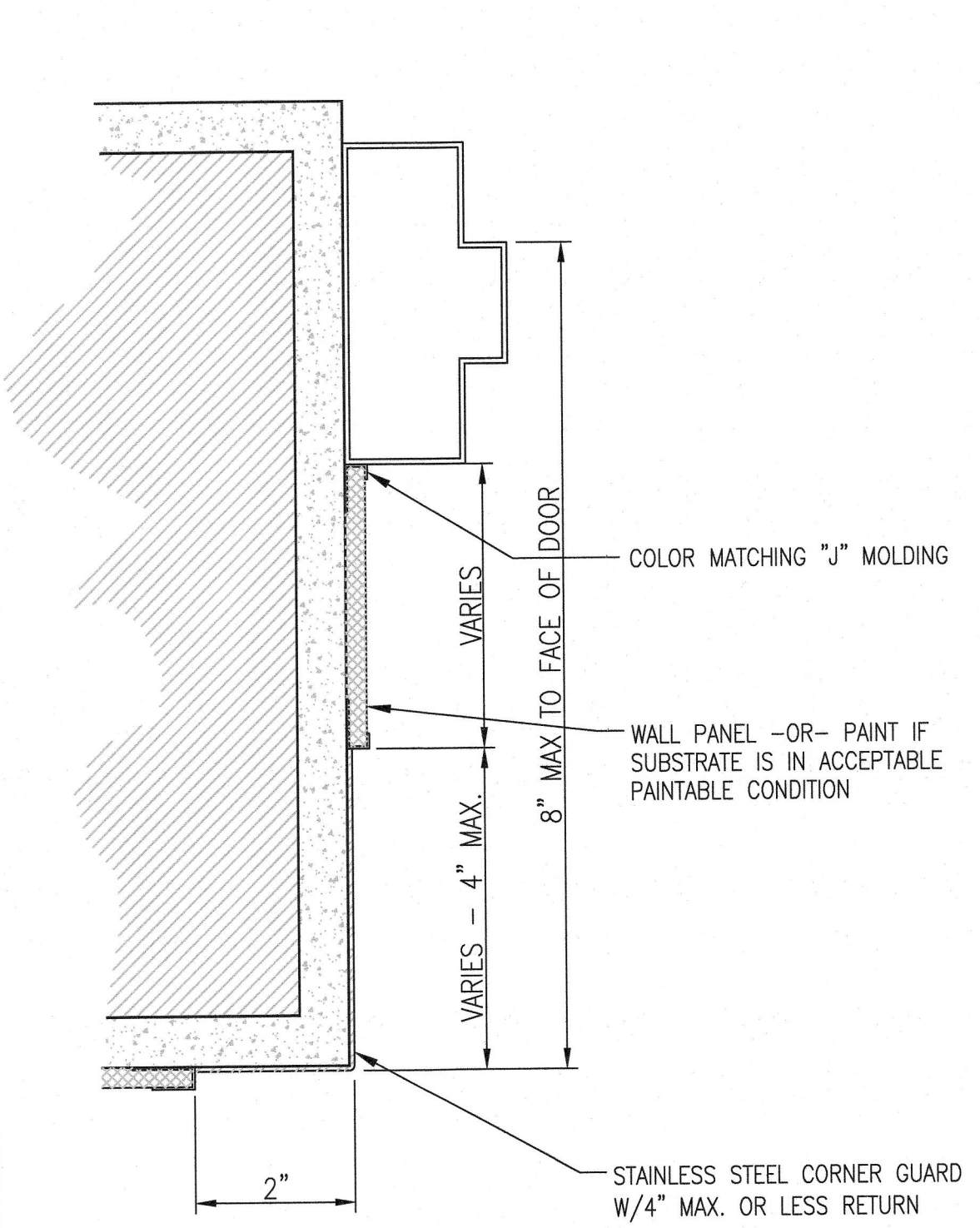


**1A SLAB JOINT DETAIL - TYPICAL**  
A5.01 / SCALE: 1 1/2" = 1'-0"

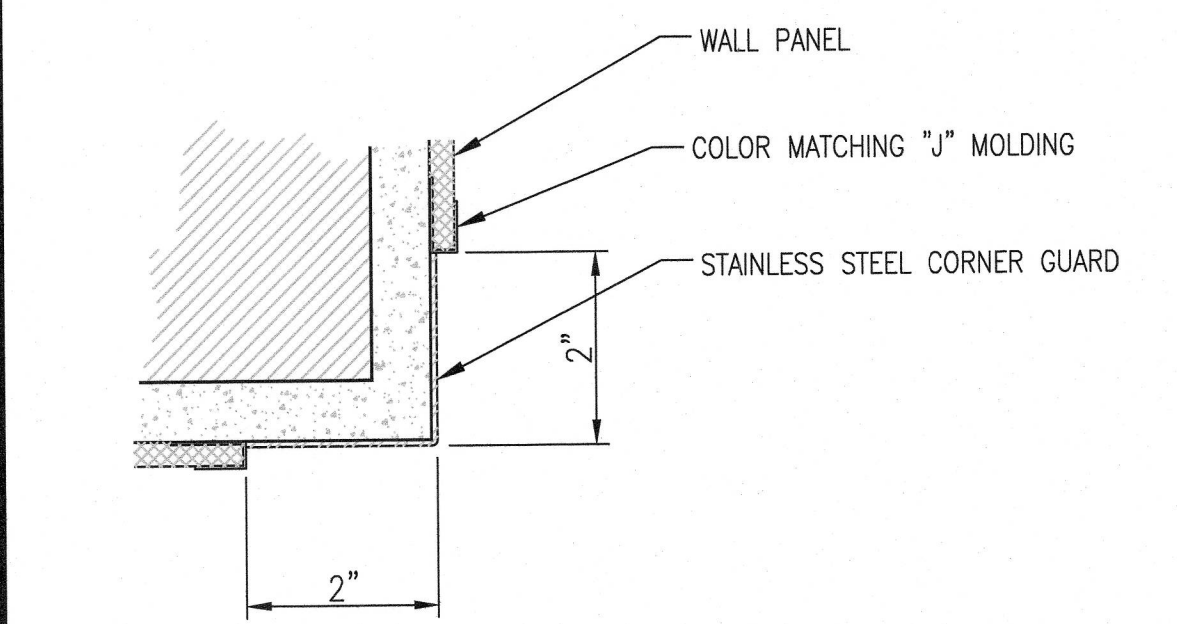
**1 SLAB JOINT DETAILS**  
A5.01 / SCALE: 1 1/2" = 1'-0"

- UTILIZE THE GUIDELINES BELOW FOR STAINLESS STEEL WRAPS, CORNER GUARDS, THRESHOLDS, ETC.
1. COLUMN WRAPS - 22 GA., FINISH #3.
  2. CORNER GUARDS - 18 GA., FINISH #3. NON-HEMMED EDGES.
  3. DOOR FRAME WRAPS - 18 GA., FINISH #3.
  4. OVEN/HOOD FLASHING - 20 GA., FINISH #3.
  5. DOOR PLATES - 18 GA., FINISH #3.
  6. THRESHOLDS - 11 GA., FINISH #2B.
- ALL MATERIAL IS STAINLESS STEEL AND SHALL BE PVC COVERED FOR PROTECTION DURING INSTALLATION AND CAULKING. HEIGHT OF GUARDS TO EXTEND FULL HEIGHT OF ADJACENT PANELING OR AS INDICATED IN THE INTERIOR ELEVATIONS. COORDINATE WITH FOOD LION CONSTRUCTION SUPERVISOR.

THESE ARE TYPICAL DETAILS AND MAY OR MAY NOT APPLY

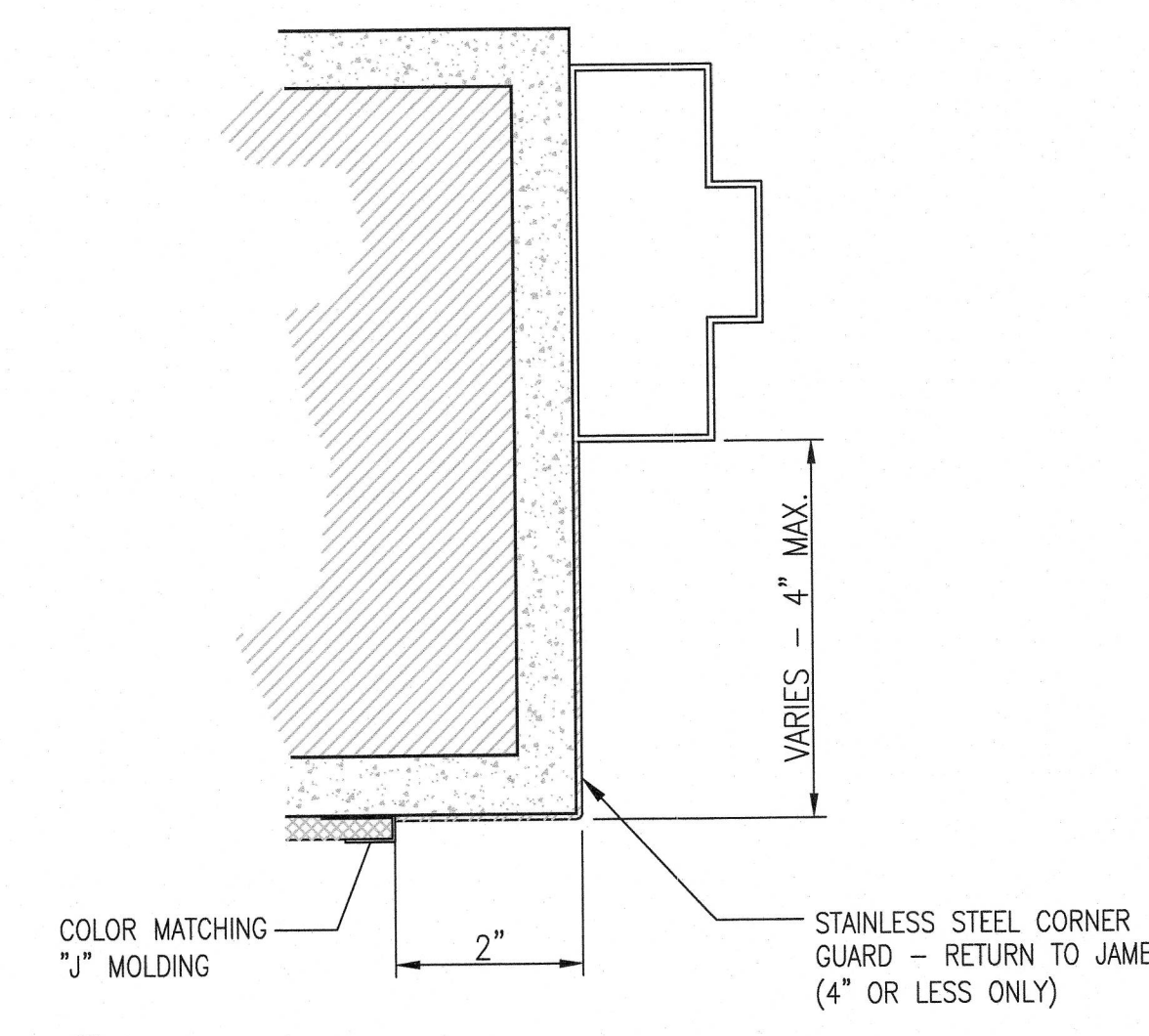


**2B STAINLESS STEEL CORNER GUARD W/PANEL RETURN**  
A5.01 / SCALE: 6" = 1'-0"

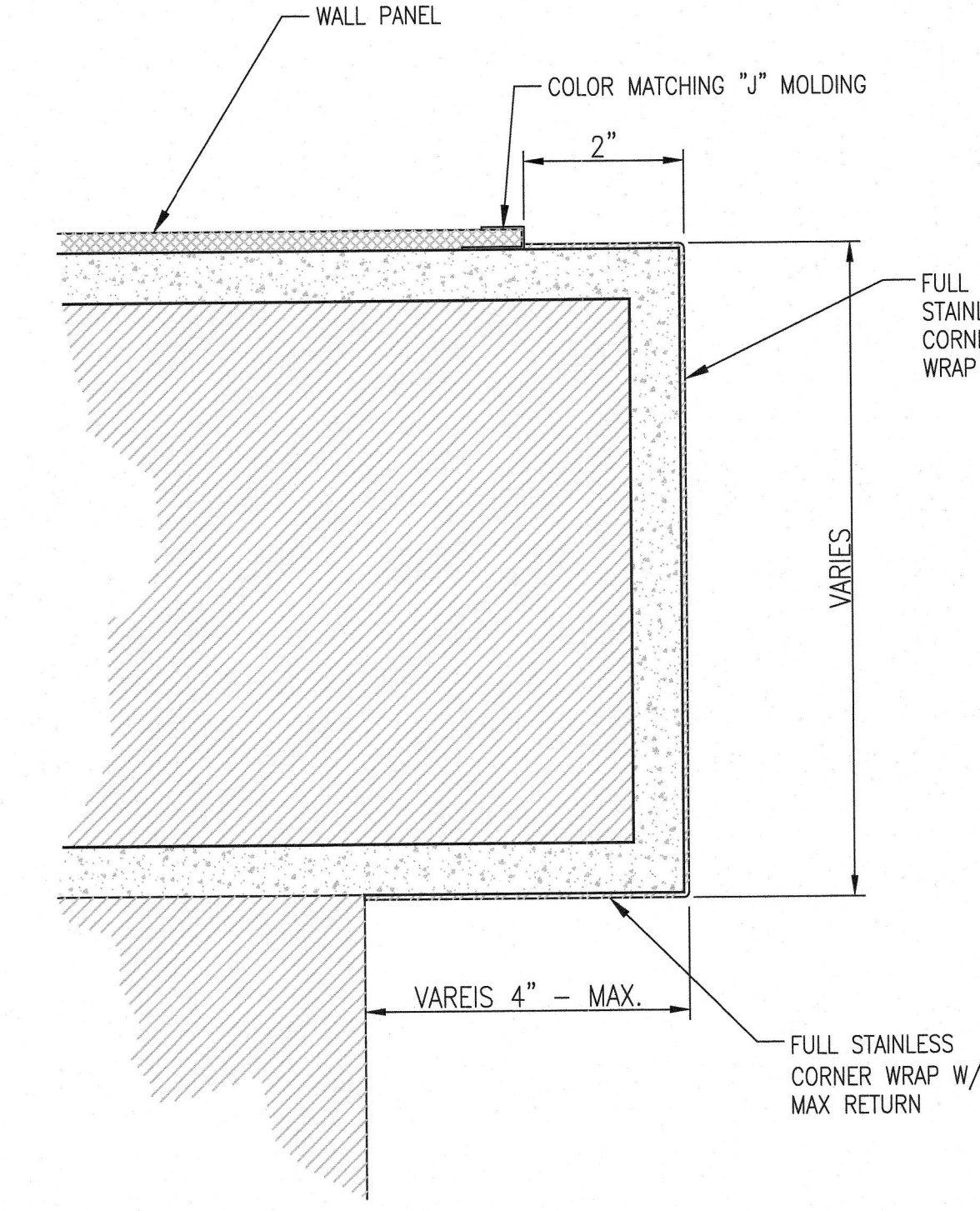


**2D STANDARD STAINLESS STEEL CORNER GUARD**  
A5.01 / SCALE: 6" = 1'-0"

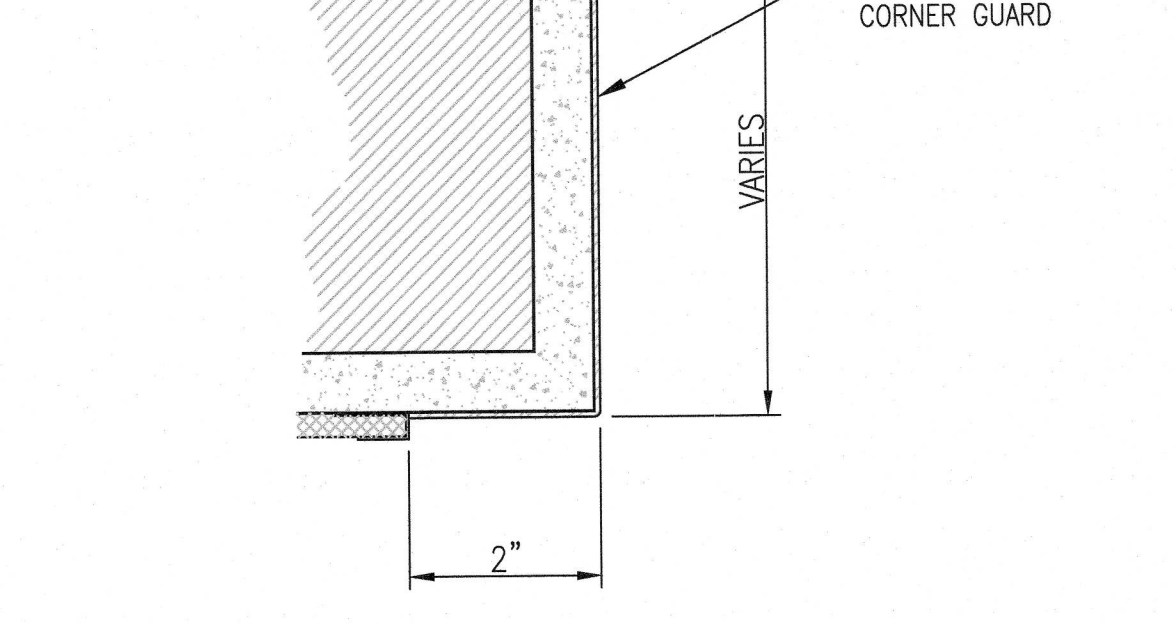
**2 TYPICAL S.S. GUARD DETAILS**  
A5.01 / SCALE: 6" = 1'-0"



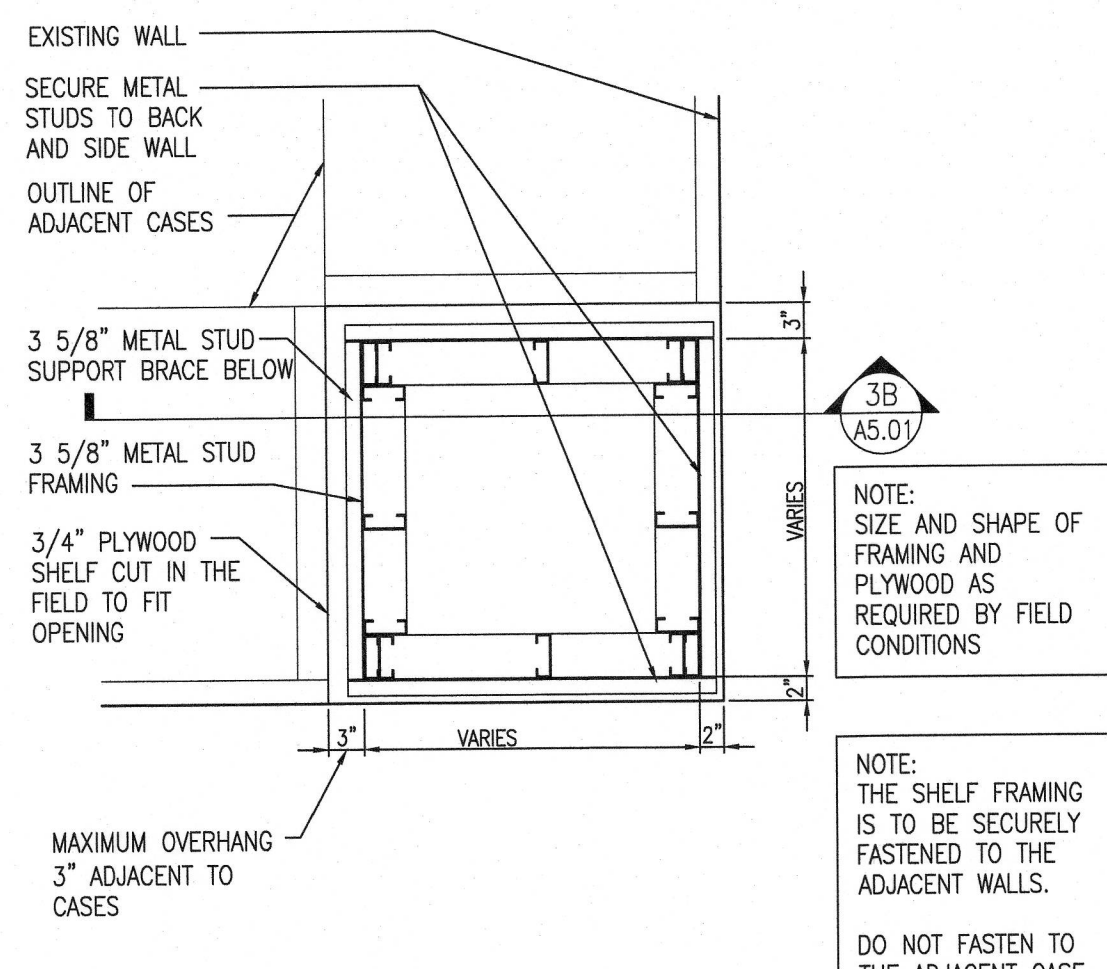
**2A STAINLESS STEEL CORNER GUARD W/STAINLESS RETURN**  
A5.01 / SCALE: 6" = 1'-0"



**2C STAINLESS STEEL FULL WRAP W/STAINLESS RETURN**  
A5.01 / SCALE: 6" = 1'-0"



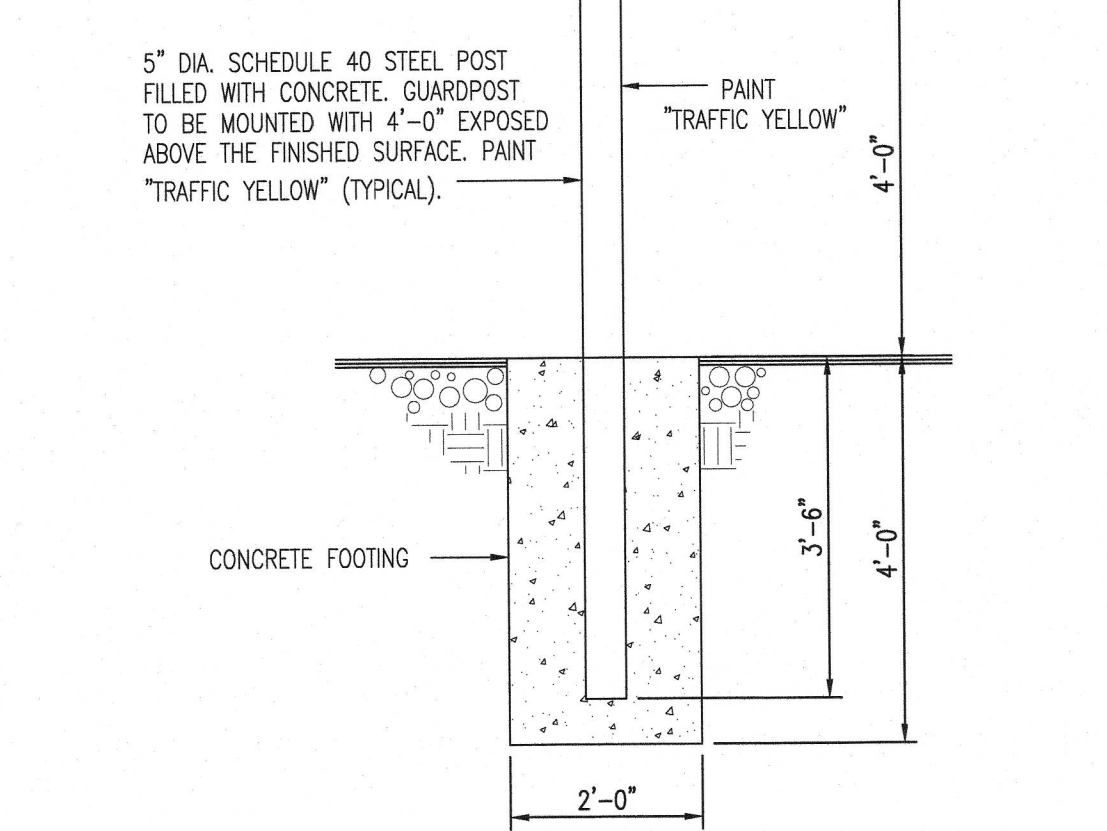
**2E STANDARD STAINLESS STEEL FULL WRAP**  
A5.01 / SCALE: 6" = 1'-0"



**3A PLAN VIEW**  
A5.01

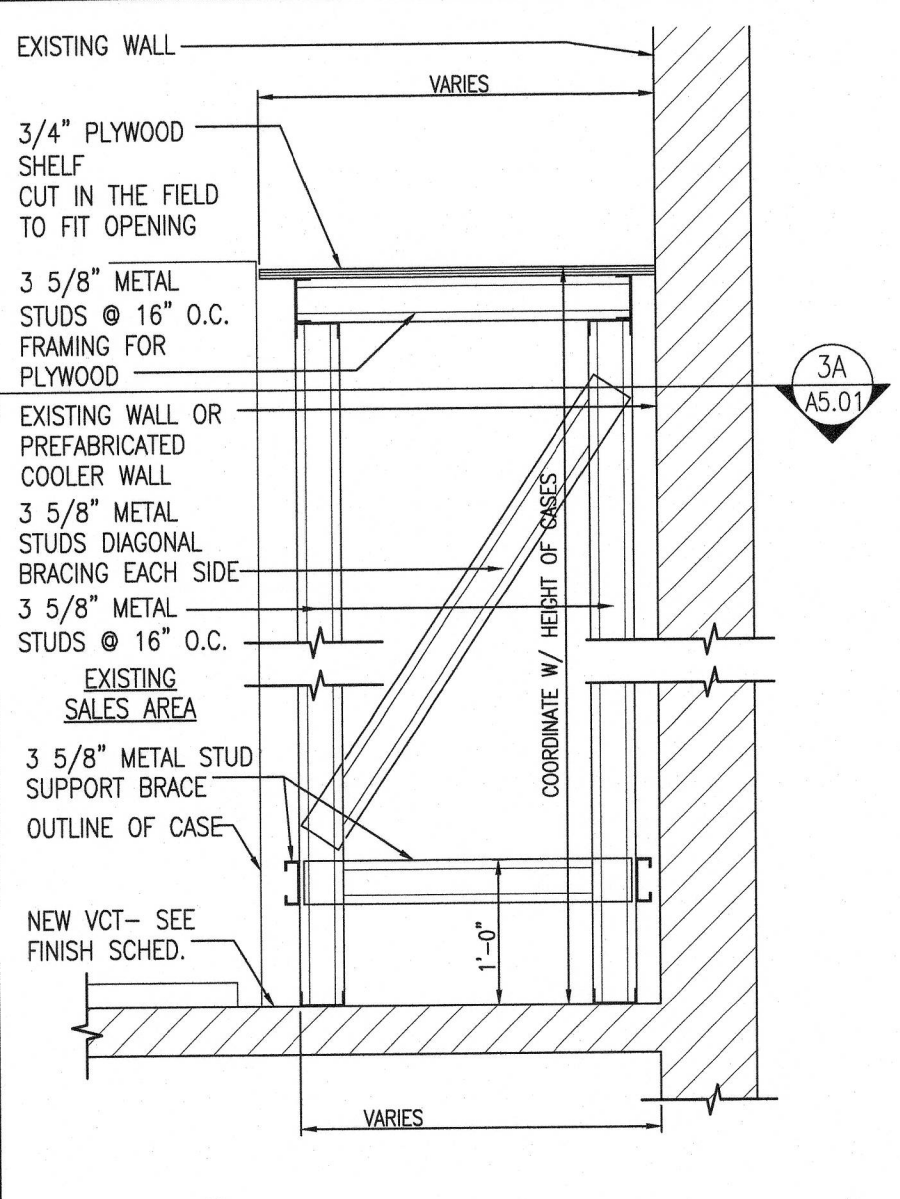
**3 CAPPED VOID BY G.C.**  
A5.01 / SCALE: 3/4" = 1'-0"

NOTE: QUADPOSTS AT FRONT OF STORE SHALL BE COVERED BY McCUE OR BOSTON GROUP YELLOW CARTSTOP POST COVERS.

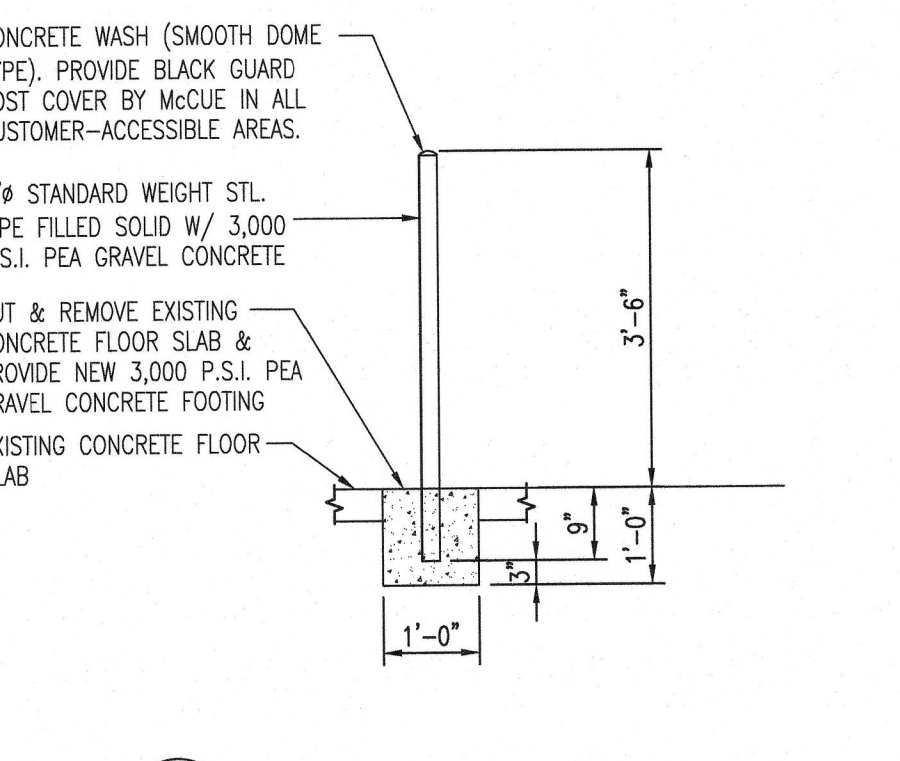


**4A EXTERIOR GUARDPOST DETAIL**  
A5.01

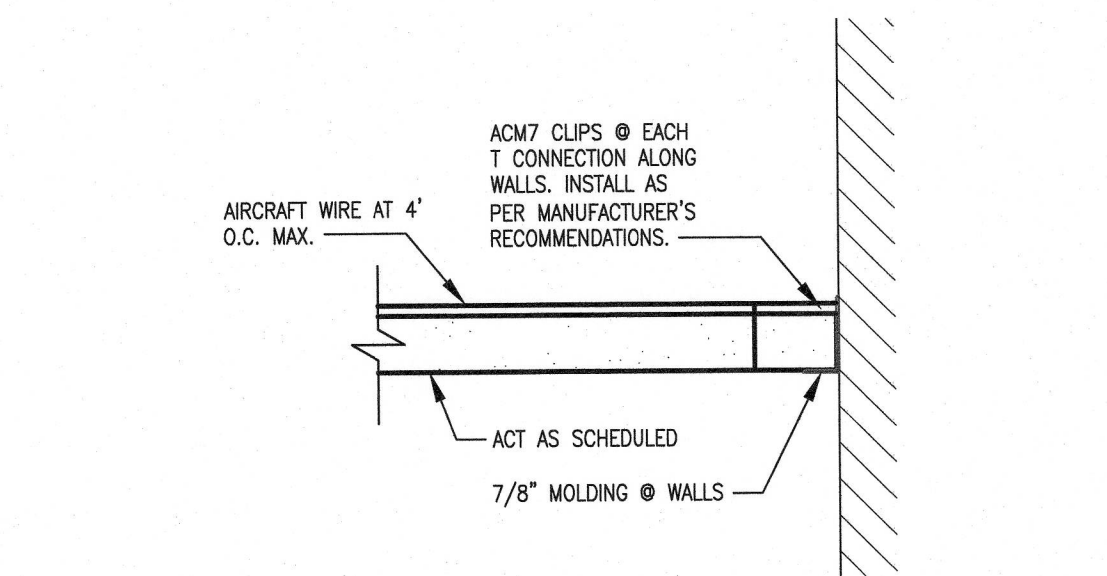
**4 GUARDPOST DETAIL**  
A5.01 / SCALE: 1/2" = 1'-0"



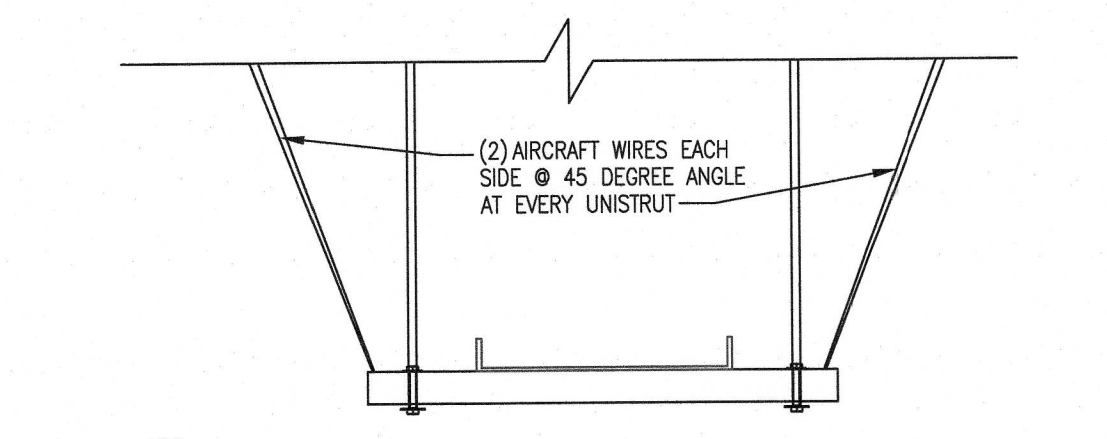
**3B CROSS SECTION**  
A5.01



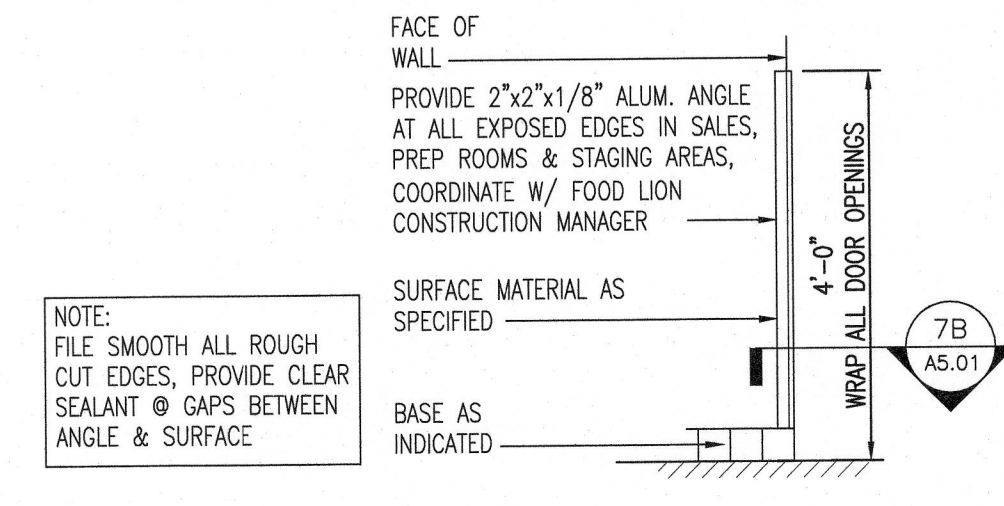
**4B INTERIOR GUARDPOST DETAIL**  
A5.01



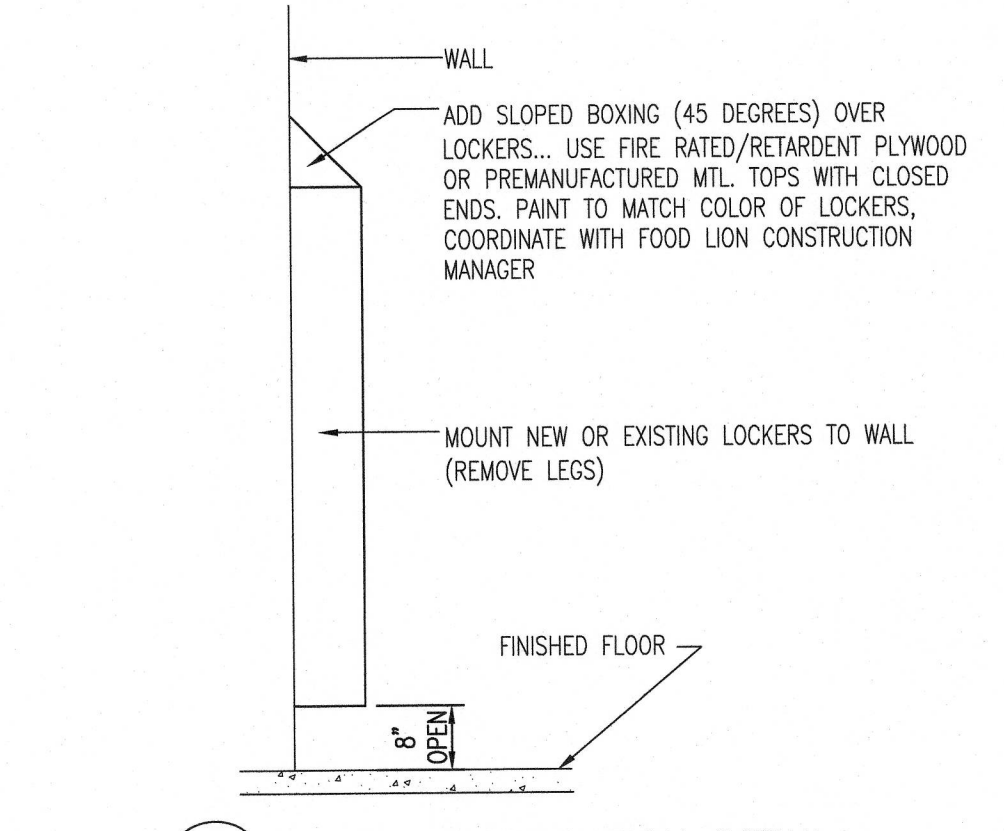
**5 ACT SEISMIC DETAIL**  
A5.01 / SCALE: 3" = 1'-0"



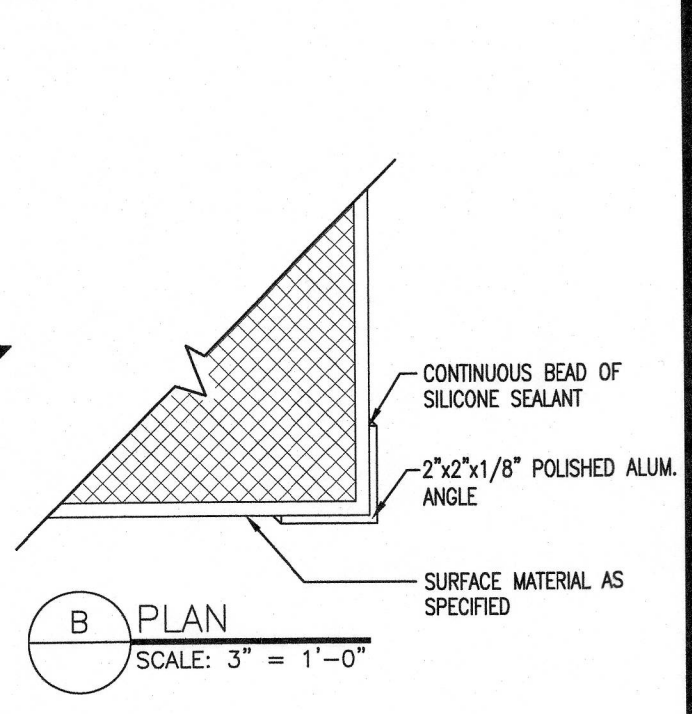
**6 CONDUIT/REFRIGERATION SEISMIC DETAIL**  
A5.01 / SCALE: 1" = 1'-0"



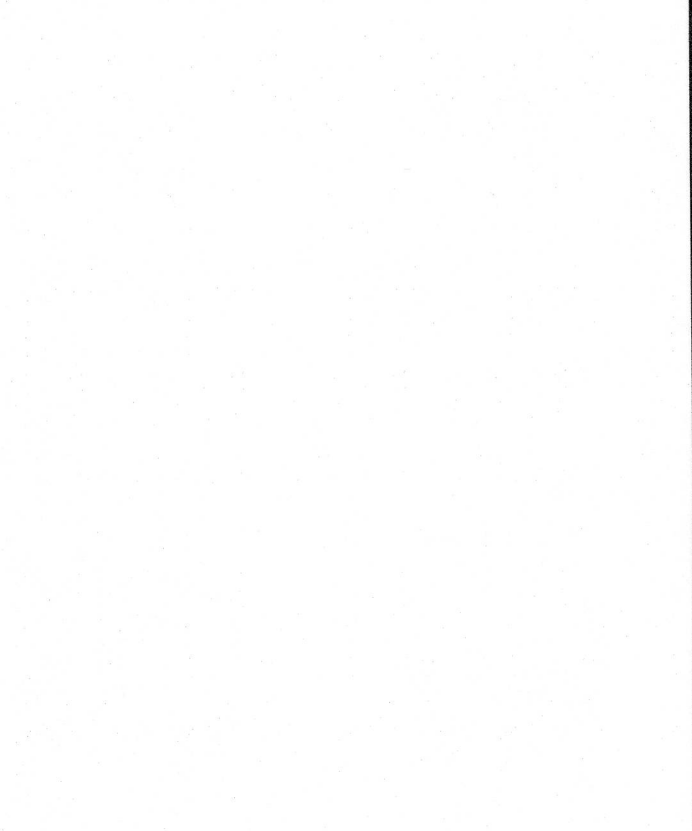
**7 CORNER GUARD DETAIL**  
A5.01 / SCALE: 1/2" = 1'-0"



**8 LOCKER INSTALLATION DETAIL**  
A5.01 / SCALE: 1/2" = 1'-0"



**7B PLAN**  
A5.01 / SCALE: 3" = 1'-0"



**8 LOCKER INSTALLATION DETAIL**  
A5.01 / SCALE: 1/2" = 1'-0"