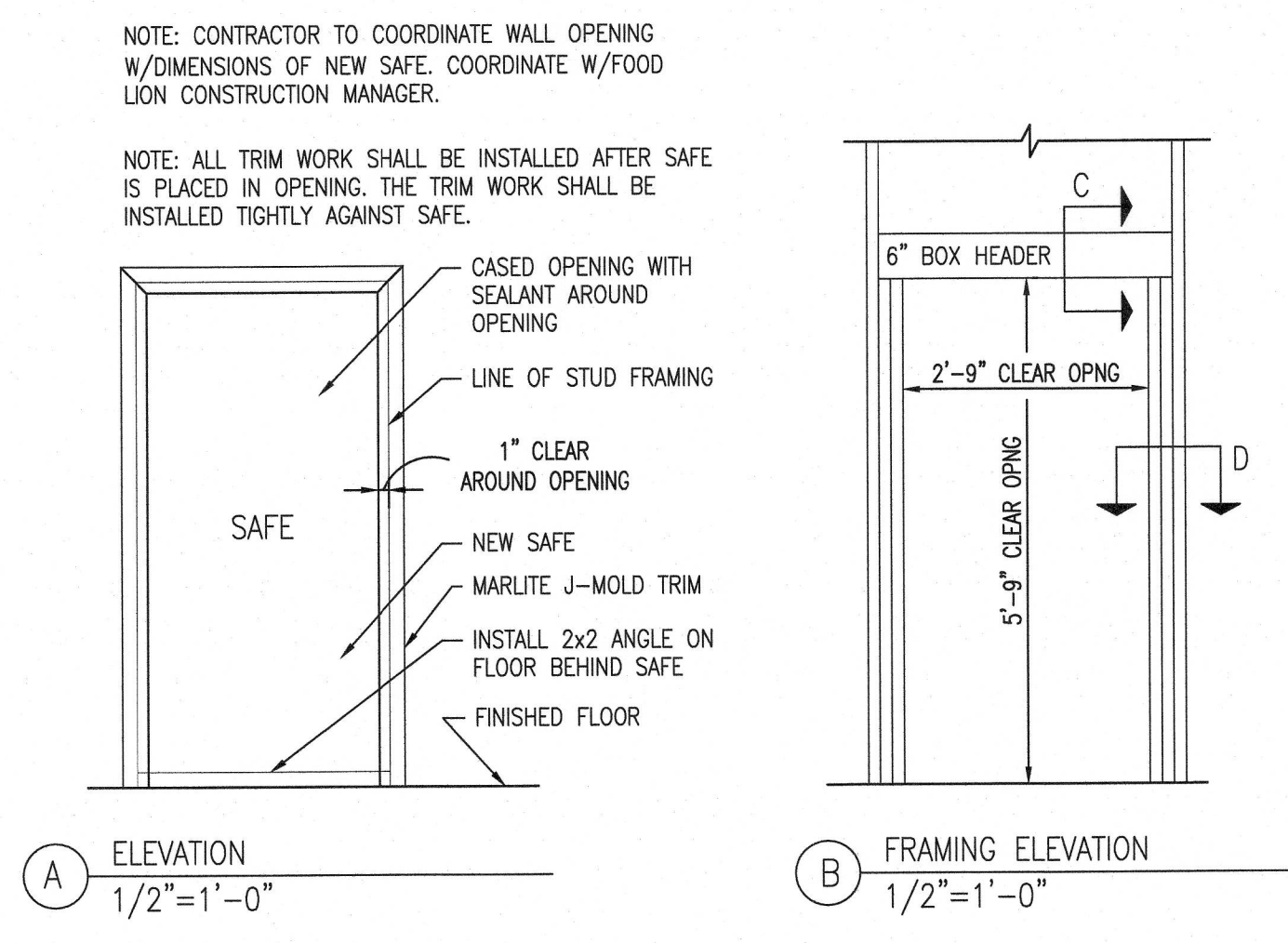
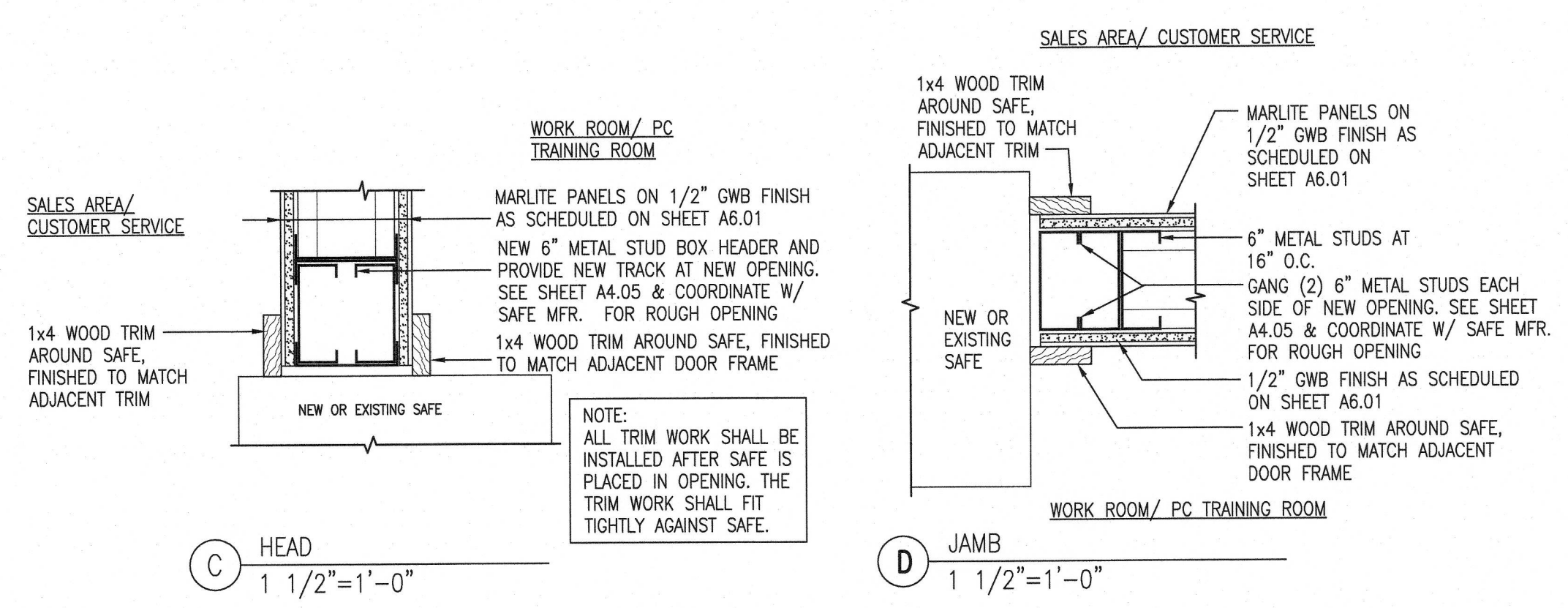
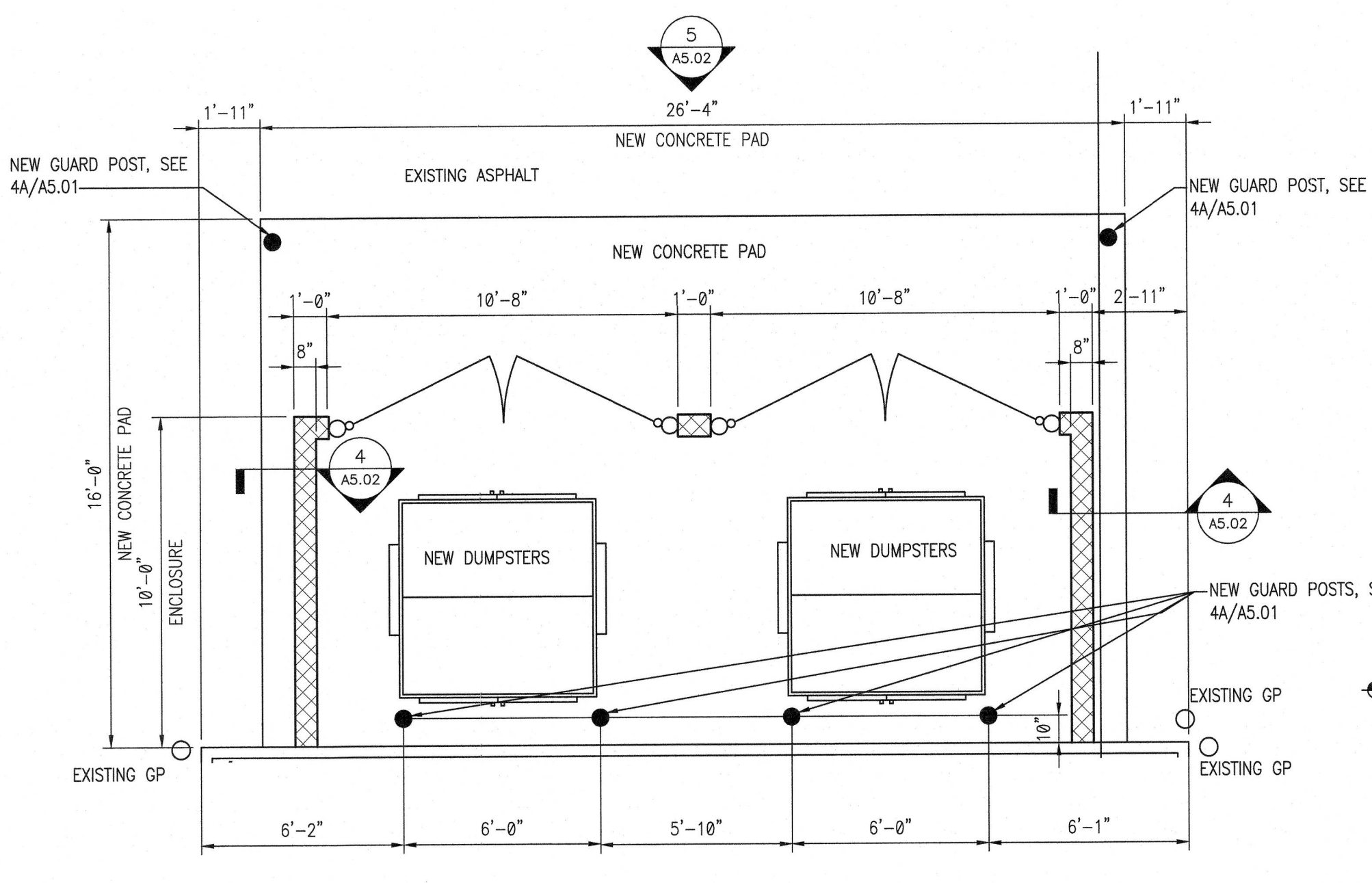


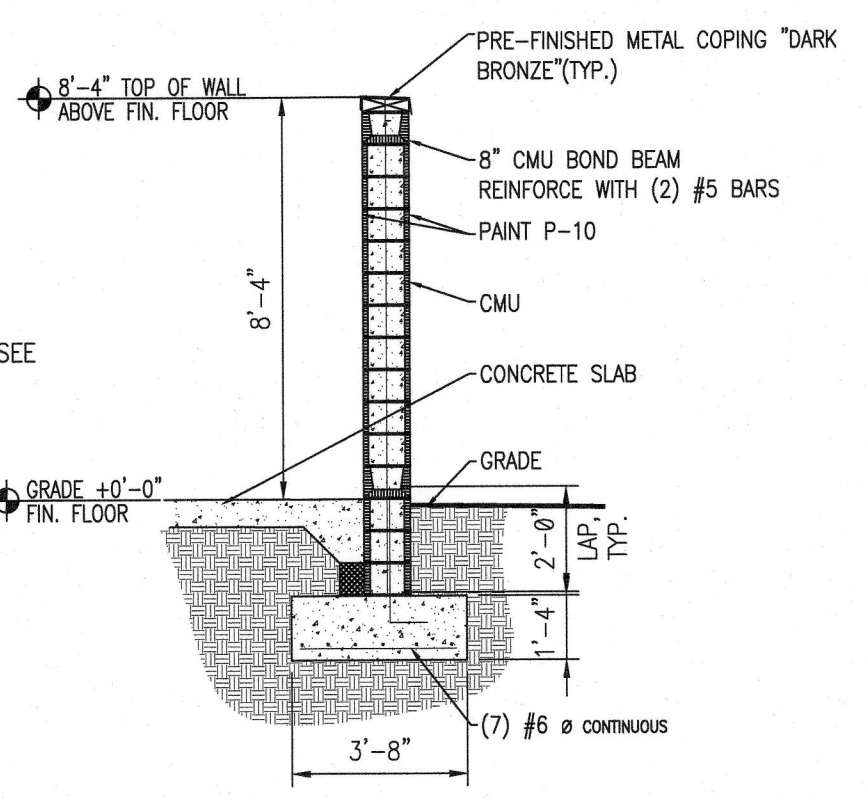
**1 AIR CURTAIN SUPPORT DETAIL**  
A5.02 SCALE: 3" = 1'-0"



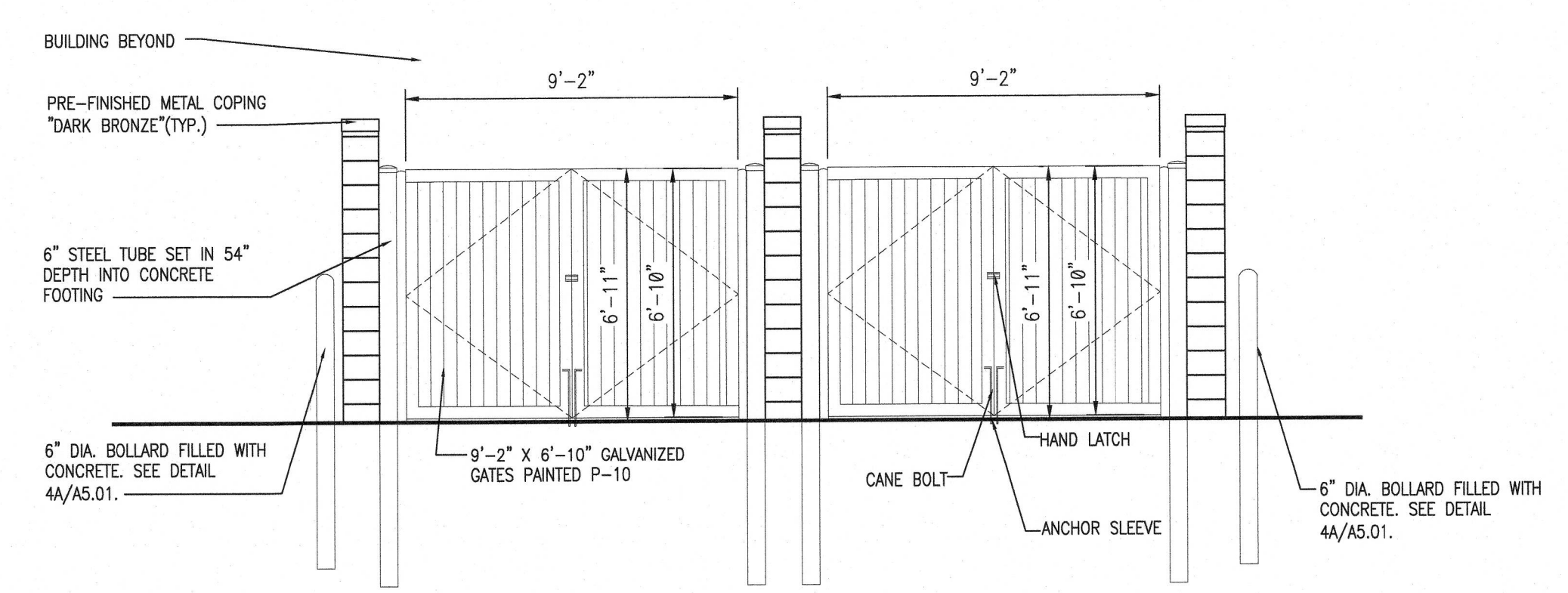
**2 ROUGH OPENING AND DETAILS @ SAFE**  
A5.02



**3 DUMPSTER ENCLOSURE**  
A5.02 SCALE: 1/4" = 1'-0"



**4 DUMPSTER ENCLOSURE**  
A5.02 SCALE: 1/4" = 1'-0"



**5 DUMPSTER ELEVATION**  
A5.02 SCALE: 1/4" = 1'-0"

REVISIONS

NO	DATE	REMARKS

**FOOD LION**

2110 Executive Drive, Salisbury, NC 28147  
Telephone: 704.633.8250  
foodlion.com

Food Lion is an ARBIS BELTZHAUSE company.

**FOOD LION REMODEL STORE #2839**  
860 PARRIS ISLAND GTWY  
BEAUFORT, SC 29906

PROJECT NO: 2021.1218  
DATE: 7/5/22

23 OF 54  
**A5.02**  
MISCELLANEOUS DETAILS

CHECKED: DNC DRAWN: EC