

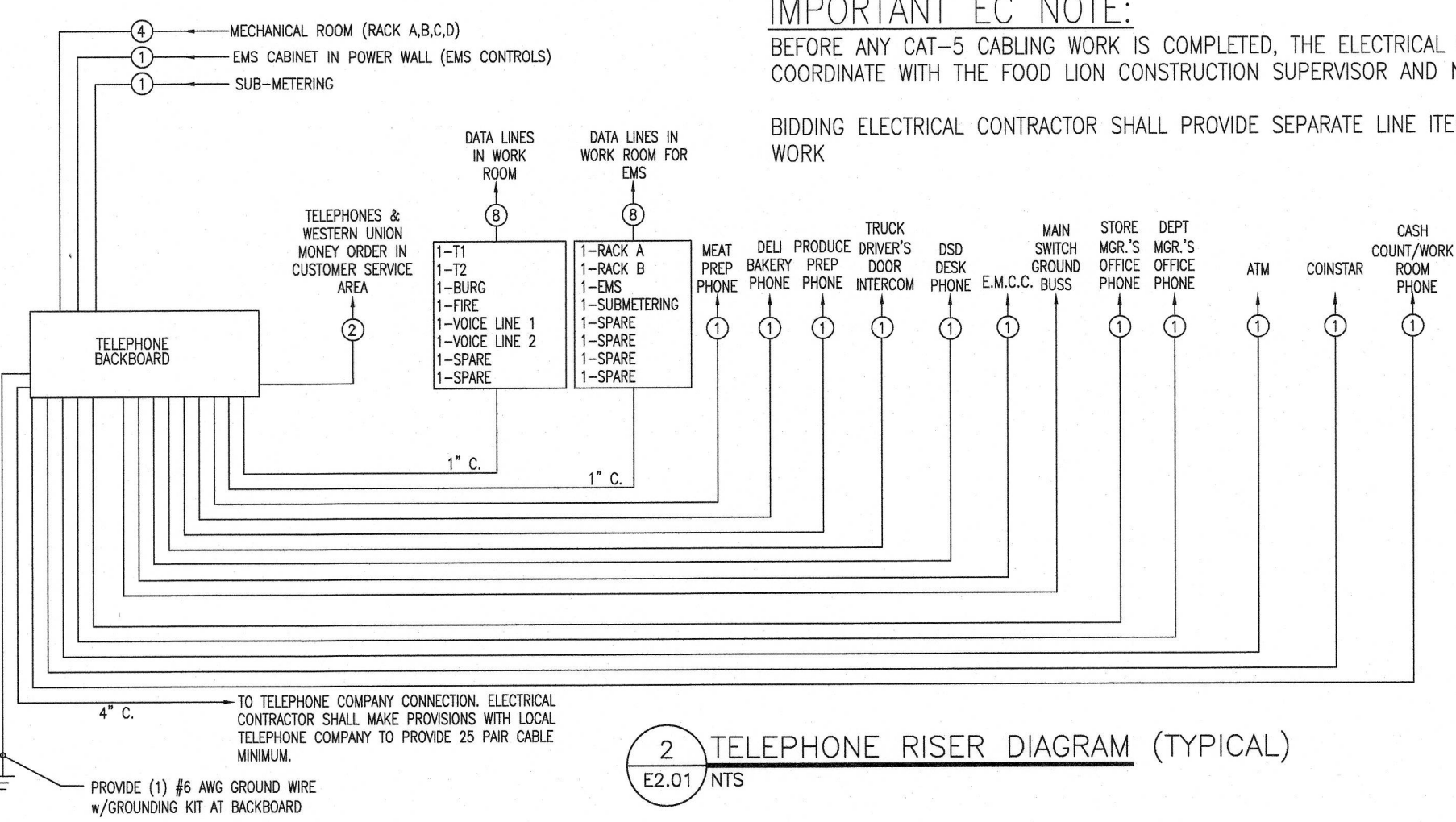
1 CAT 5 RISER DIAGRAM (TYPICAL)
E2.01 NTS

- CAT 5 RISER NOTES:**
- ① CIRCLE INDICATES THE NUMBER OF CABLES, SUPPLIED AND INSTALLED BY THE ELECTRICAL CONTRACTOR UNLESS OTHERWISE NOTED (SEE NOTE #4). CABLE SHALL BE CAT 5 UNSHIELDED ETHERNET. COIL AND SECURE 15'-0" OF SLACK FOR ALL CABLE ENDS.
 - ALL CABLE ENDS SHALL BE LABELED PER RISER DIAGRAM.
 - ALL CABLE ENDS SHALL BE NUMBERED. DO NOT REUSE NUMBERS.
 - FOOD LION COMMUNICATION VENDOR TO PROVIDE POWER AND PULL 2 CAT-5 PVC-COATED UNSHIELDED ETHERNET CABLES PER REGISTER (REGISTER CPU & CATALINA PRINTER); SEE A1.01. COIL 15'-0" OF EXTRA CAT-5 CABLE AT EACH END FOR CONNECTION BY OTHERS ("MACRO").
 - FOOD LION COMMUNICATION VENDOR TO PROVIDE POWER AND CAT-5 CABLES TO ALL CUSTOMER SERVICE COUNTER EQUIPMENT.
 - ELECTRICAL CONTRACTOR TO PROVIDE POWER AND CAT-5 CABLES FOR ALL OTHER FRONT-END SERVICES.
 - ELECTRICAL CONTRACTOR SHALL COORDINATE WITH THE FOOD LION CONSTRUCTION SUPERVISOR AND TELEPHONE RISER DIAGRAM PRIOR TO BEGINNING WORK TO PREVENT PULLING DUPLICATE OR UNNECESSARY RUNS.
 - ELECTRICAL CONTRACTOR SHALL COORDINATE WITH THE LOCAL LOTTERY REPRESENTATIVE FOR CORRECT LOCATION OF CAT-5 PULL (TELEPHONE BACKBOARD OR DATA CLOSET/CASH OFFICE).

IMPORTANT EC NOTE:

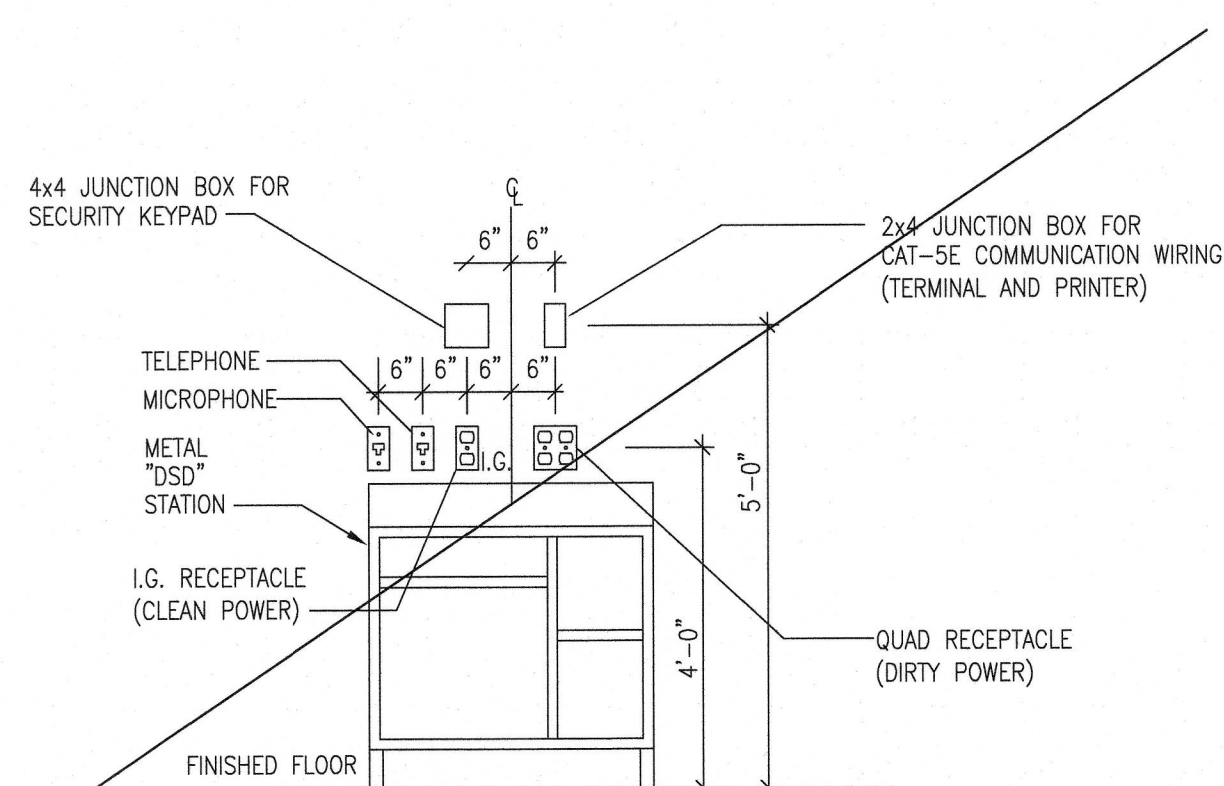
BEFORE ANY CAT-5 CABLING WORK IS COMPLETED, THE ELECTRICAL CONTRACTOR SHALL COORDINATE WITH THE FOOD LION CONSTRUCTION SUPERVISOR AND NEXGEN

BIDDING ELECTRICAL CONTRACTOR SHALL PROVIDE SEPARATE LINE ITEM BID FOR CAT-5 WORK

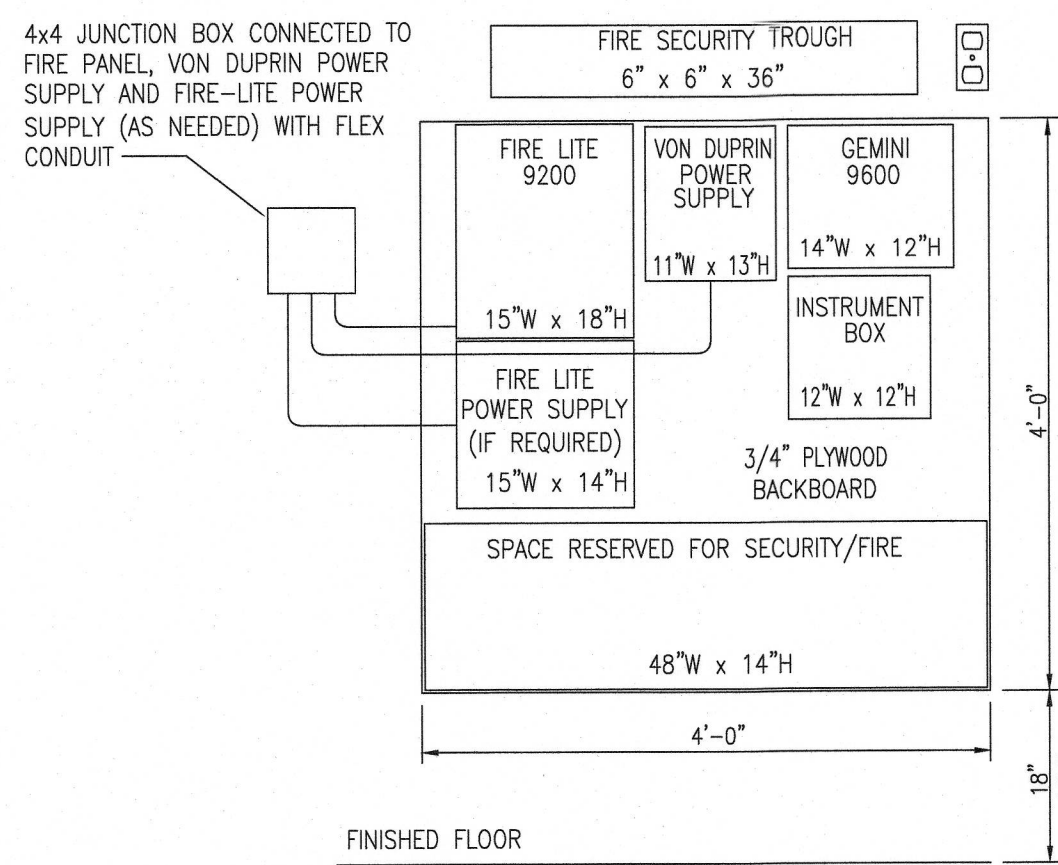


2 TELEPHONE RISER DIAGRAM (TYPICAL)
E2.01 NTS

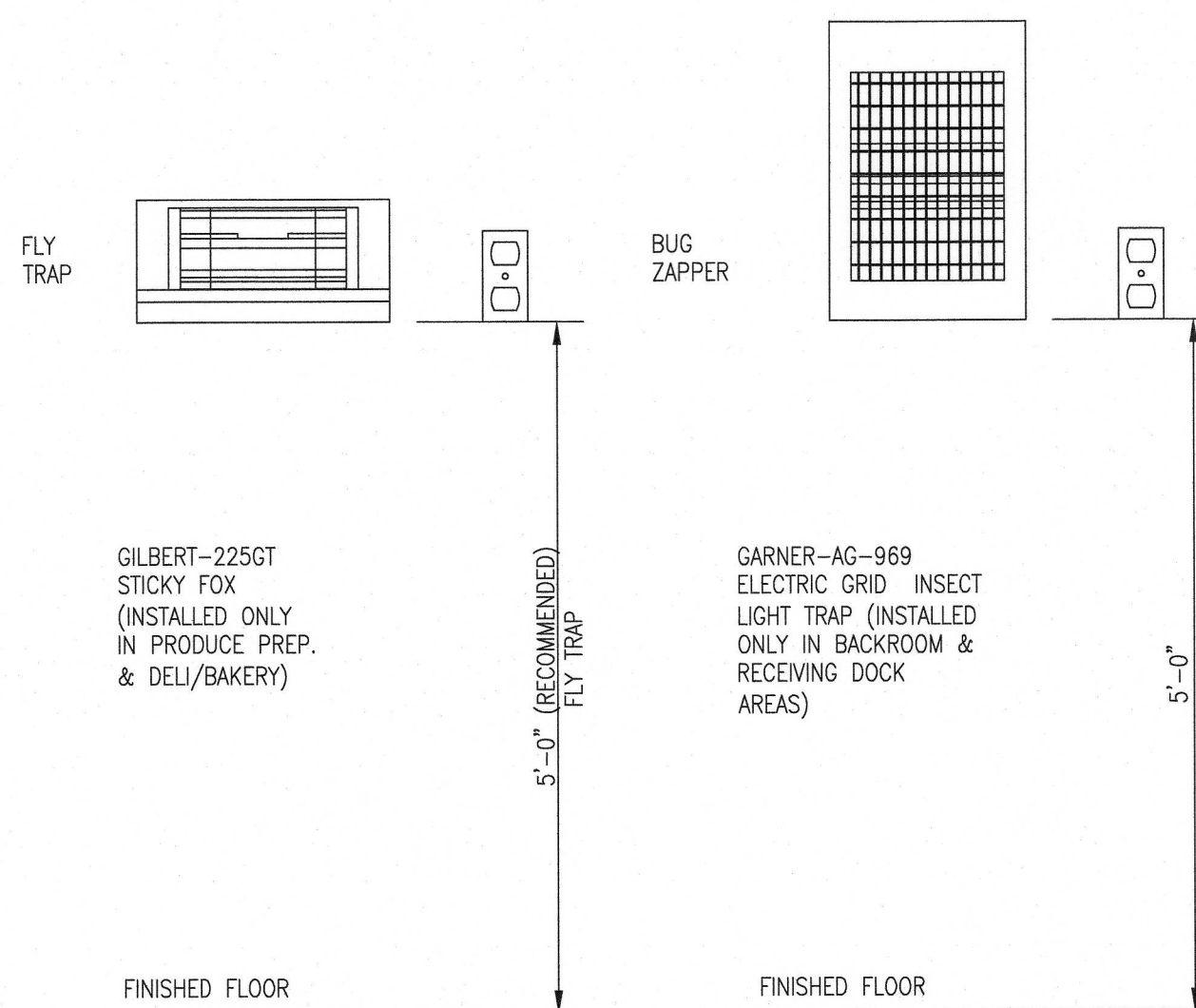
- TELEPHONE RISER NOTES:**
- THE CONDUITS TO THE TELEPHONE BACKBOARD MUST BE INSTALLED AS PER THIS DIAGRAM. ALL DATA PULLS ARE HOMERUNS AND ARE NOT TO BE LOOPED OR TIED TOGETHER IN A JUNCTION BOX... (FOOD LION COMMUNICATIONS VENDOR TO VERIFY RISER)
 - ① CIRCLE INDICATES THE NUMBER OF PHONE CABLES, SUPPLIED AND INSTALLED BY THE ELECTRICAL CONTRACTOR. CABLE SHALL BE CAT 5 UNSHIELDED ETHERNET. COIL AND SECURE 15'-0" OF SLACK FOR ALL CABLE ENDS.
 - ALL CABLE ENDS SHALL BE LABELED PER RISER DIAGRAM.
 - ALL CABLE ENDS SHALL BE NUMBERED IF MORE THAN ONE PER CONDUIT.
 - ELECTRICAL CONTRACTOR SHALL COORDINATE WITH THE FOOD LION CONSTRUCTION SUPERVISOR AND CAT-5 RISER DIAGRAM PRIOR TO BEGINNING WORK TO PREVENT PULLING DUPLICATE OR UNNECESSARY RUNS.
 - FOR PENNSYLVANIA STORES ONLY, THERE SHALL BE (1) CAT-5 FROM THE TERMINAL IN THE CUSTOMER-SERVICE COUNTER TO THE DATA CLOSET.
 - ELECTRICAL CONTRACTOR SHALL COORDINATE WITH THE LOCAL LOTTERY REPRESENTATIVE FOR CORRECT LOCATION OF CAT-5 PULL (TELEPHONE BACKBOARD OR DATA CLOSET/CASH OFFICE).



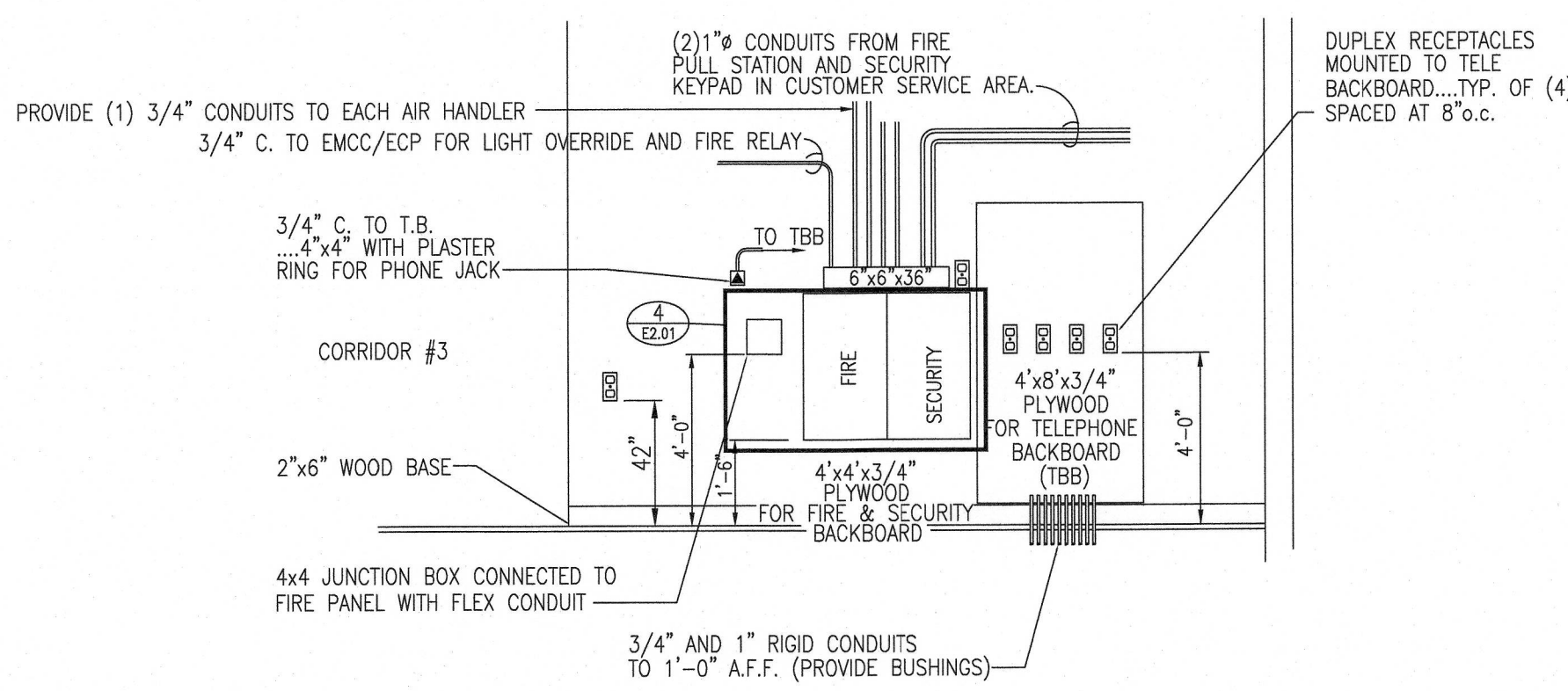
3 DSD STATION ELEVATION
E2.01 NOT TO SCALE



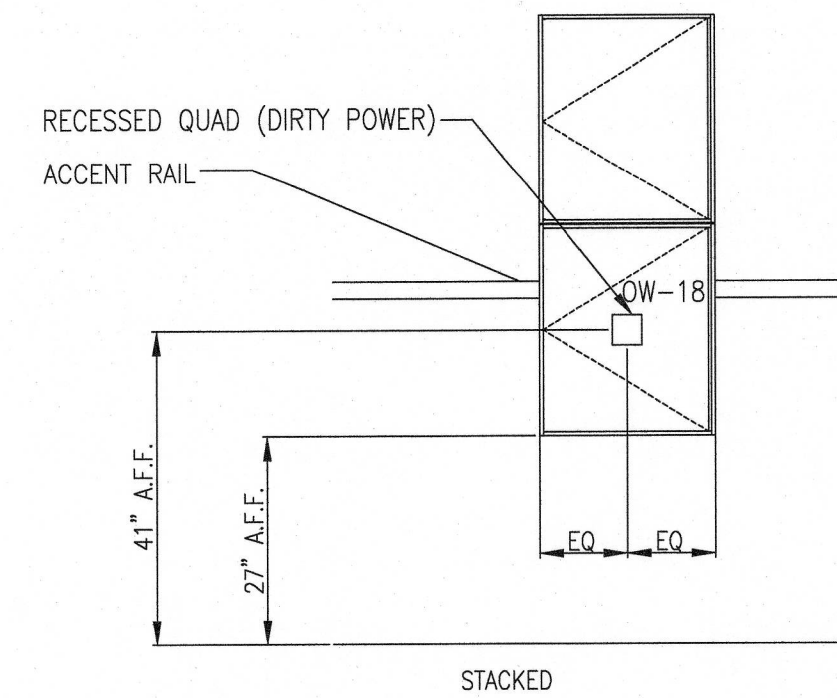
4 FIRE/SECURITY BACKBOARD LAYOUT
E2.01 NTS



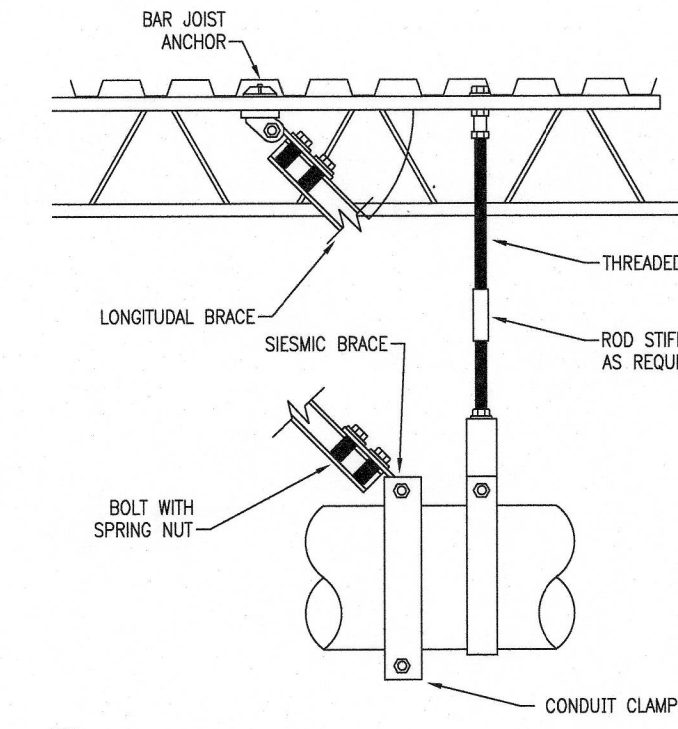
5 FLY TRAP / BUG ZAPPER DETAIL
E2.01 NTS



6 ELECTRICAL ROOM ELEVATION
E2.01 NTS



7 COMMUNICATION CABINET INSTALLATION DETAIL
E2.01 NTS



8 HANGING CONDUIT SEISMIC MOUNTING DETAIL
E2.01 NOT TO SCALE

CONTROL NOTES

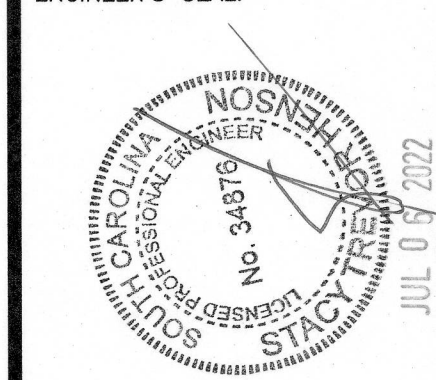
- THE ENERGY MANAGEMENT CONTROL CABINET WITH ENVIRONMENTAL CONTROL PANEL SHALL BE PROVIDED VIA NATIONAL ACCOUNT BY FOOD LION
- ONE SEPARATE 3/4" CONDUIT THROUGH ROOF FOR PHOTOCELL. RUN (1) 4-CONDUCTOR SHIELDED CABLE (#22AWG OR LARGER) FOR PHOTOCELL. TERMINATE PER ENERGY MANAGEMENT CONTROL DRAWINGS. PHOTOCELL SHALL BE LOCATED ON THE ROOF IN AN OPEN AREA, IN A HORIZONTAL POSITION, WITH A NORTHERN EXPOSURE. PHOTOCELL SHALL NOT BE LOCATED DIRECTLY ABOVE POWER WALL (AS PER SESCO COMMISSIONING).
- PROVIDE 3/4" CONDUIT TO RECLAIM WATER HEATER CONTACTORS FOR EMS CONTROL (2 #14 W/GND)
- PROVIDE 1" CONDUIT TO AHU'S AND 3/4" CONDUIT TO OTHER MECHANICAL EQUIPMENT (IE, RTU'S, EDH'S, DAMPERS) FOR CONTROL. PROVIDE SEPARATE 3/4" CONDUIT FOR SENSOR CABLES. REFER TO SHEET M1.1. COORDINATE WITH MECHANICAL CONTRACTOR.
- PROVIDE 3/4" CONDUIT TO EACH REFRIGERATION CONTROLLER AND ECP PANEL TO THE PHONE BOARD FOR CAT 5 COMMUNICATION CABLE. NO OTHER CABLES SHALL BE RUN IN THIS CONDUIT.
- LEAVE RIGHT HALF OF TROUGH OPEN FOR ENVIRONMENTAL CONTROL CONDUITS (BY THE ELECTRICAL CONTRACTOR) PER SHEET E4.01. MECHANICAL CONTRACTOR SHALL PROVIDE ALL ENVIRONMENTAL CONTROL WIRING AND TERMINATIONS.
- PROVIDE 3/4" CONDUIT FOR EMS CONTROL TO MECHANICAL ROOM EXHAUST & SUPPLY FAN (IF REQUIRED) (4 #4 W/GND)
- (1) 5-CONDUCTOR SHIELDED CABLE (#22 AWG OR LARGER) FOR ANTI-SWEAT CONTROL, TERMINATE PER ENERGY CONTROL DRAWINGS. NO OTHER CONDUCTORS SHALL BE RUN IN THIS CONDUIT.
- PROVIDE 3/4" CONDUIT FOR EMS CONTROL FOR PLL CONTACTORS (8 #14 W/GND)
- PROVIDE 3/4" CONDUIT TO CU-1 CONDENSING UNIT ON ROOF FOR EMS CONTROL AND 3/4" CONDUIT FROM CU-1 TO COOLING STAGE SOLENOIDS.
- PROVIDE 3/4" CONDUIT TO D/B PANEL SECTION FOR DELI EMS CONTROL (8 #14 W/GND)
- ALL WIRING SHALL BE DONE IN STRICT ACCORDANCE WITH N.E.C. STANDARDS AND WITH FOOD LION STANDARDS. ONLY NEAT & FIRST QUALITY WORK WILL BE ACCEPTED. ELECTRICAL CONTRACTOR IS TO MAKE SURE THAT NO MC OR FLEX CABLES ARE USED UNLESS OTHERWISE NOTED. MC OR FLEX CABLES CAN ONLY BE USED IN SHORT RUNS FOR LIGHTING FEEDS. EMT MUST BE USED TO CONNECT PANEL TO JUNCTION BOX AND HAVE COMPRESSION TYPE FITTINGS. SEE SPECIFICATIONS FOR STANDARD PRACTICES.

ARCHITECT'S SEAL:

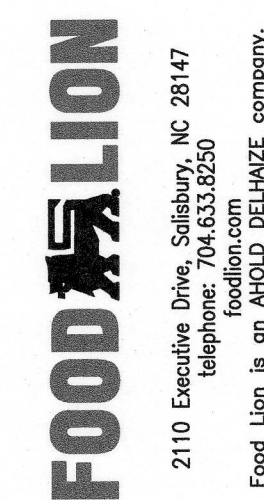
CORPORATE SEAL:



ENGINEER'S SEAL:



REVISIONS
NO DATE REMARKS



FOOD LION
REMODEL
STORE #2839
860 PARRIS ISLAND GTWY
BEAUFORT, SC 29906

PROJECT NO: 2021.1218
DATE: 7/5/22

45 OF 54
E2.01

ELECTRICAL ELEVATIONS & DETAILS

CHECKED: SN DRAWN: MM