

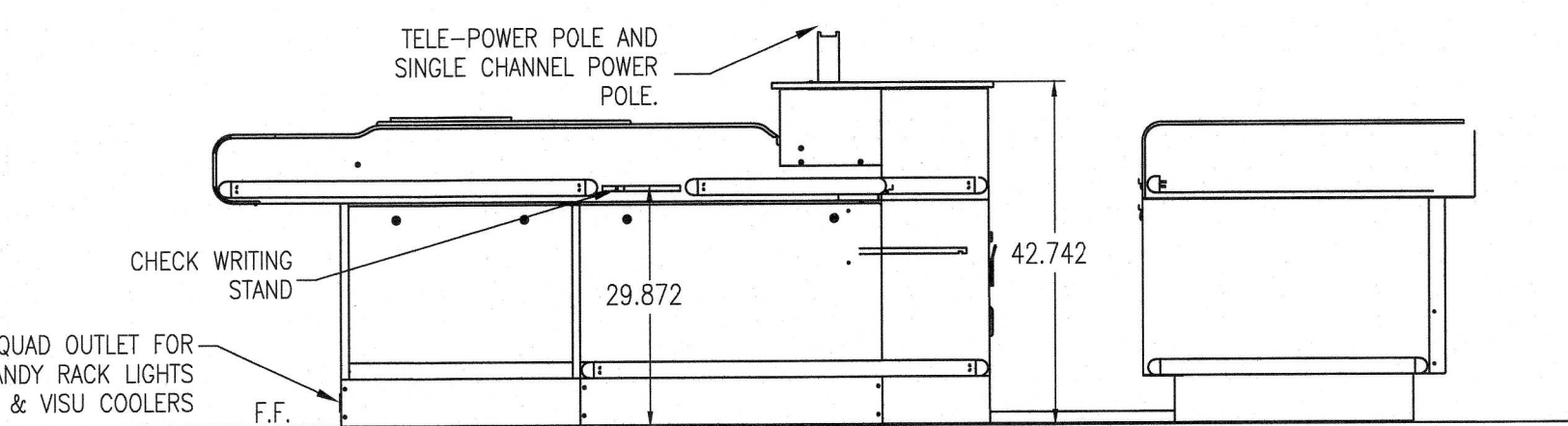
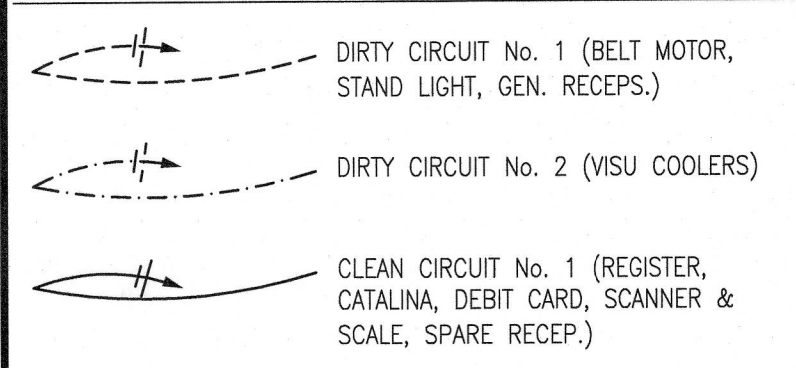
CHECKOUT INSTALLATION NOTES

- SEE SHEET E4.03 FOR WORKROOM, CUSTOMER SERVICE AND CHECKOUT COMMUNICATION WIRING.
- MOUNT QUAD OUTLET FLUSH IN THE CHECKOUT STAND FOR THE VISU COOLER(S) AND LED CANDY RACK LIGHTING AT THIS LOCATION. RECEPTACLE TO BE MOUNTED 11-4" A.F.F. IN THE SIDE NEAREST THE CASHIER AND ACCESSIBLE TO THE VISU COOLER CONNECTION. FACE PLATE TO BE PAINTED TO MATCH CHECKOUT STAND COLOR. COORDINATE LOCATION WITH PRE-WIRED CONTROLS MOUNTED INSIDE THE CHECKOUT.
- CASH REGISTER CIRCUITS SHALL BE PROVIDED WITH DEDICATED NEUTRAL AND GREEN ISOLATED GROUND.
- BY CABLES SHALL BE INSTALLED WITH INSULATED THROATS AND APPROVED CONNECTORS.
- ELECTRICAL CONTRACTOR SHALL LEAVE A PULL STRING IN CEILING J-BOX AT COMMUNICATIONS SECTION OF "TELE-POWER" POLE FROM THE COMMUNICATION JUNCTION BOX TO EACH CHECKOUT FOR USE BY OTHERS.
- ELECTRICAL CONTRACTOR SHALL COORDINATE TELEPOLE LOCATIONS WITH LIGHTING & HVAC PRIOR TO INSTALLATION TO MINIMIZE INSTALLATION CONFLICTS.

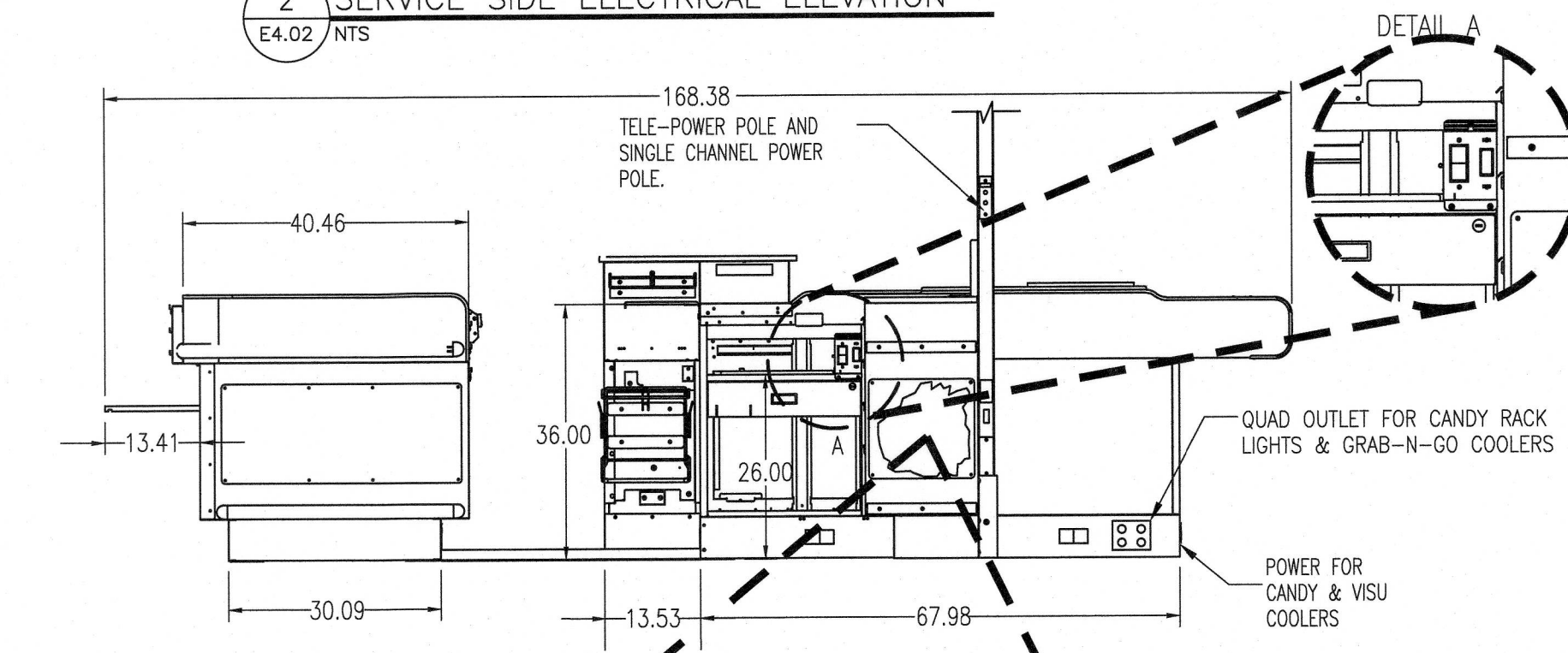
ELECTRICAL WIRING KEY NOTES (X)

- EC SHALL EXTEND WIRE AND CONDUIT FOR THE EXISTING CIRCUITS IN NEW PANELS OW AND CR TO EXISTING EQUIPMENT OR MARK AS SPARE IF NOT REQUIRED. REFER TO SHEET E6.01 FOR MORE INFORMATION.
- ELECTRICAL CONTRACTOR TO CONNECT POWER FOR NEW CHECK STAND "DIRTY POWER" AND VISU COOLERS TO NEW CIRCUITS IN PANEL OW.
- ELECTRICAL CONTRACTOR TO RECONNECT RELOCATED EQUIPMENT TO EXISTING CIRCUITS AT NEW LOCATION. EXTEND EXISTING CIRCUITRY AS REQUIRED.
- CONDUITS ON THIS WALL TO BE RECESSED BEHIND GWB.
- DEDICATED 120V RECEPTACLES FOR NEXGEN DATA CABINET PROVIDED AND INSTALLED ABOVE CEILING BY SEPARATE OWNER CONTRACTOR.

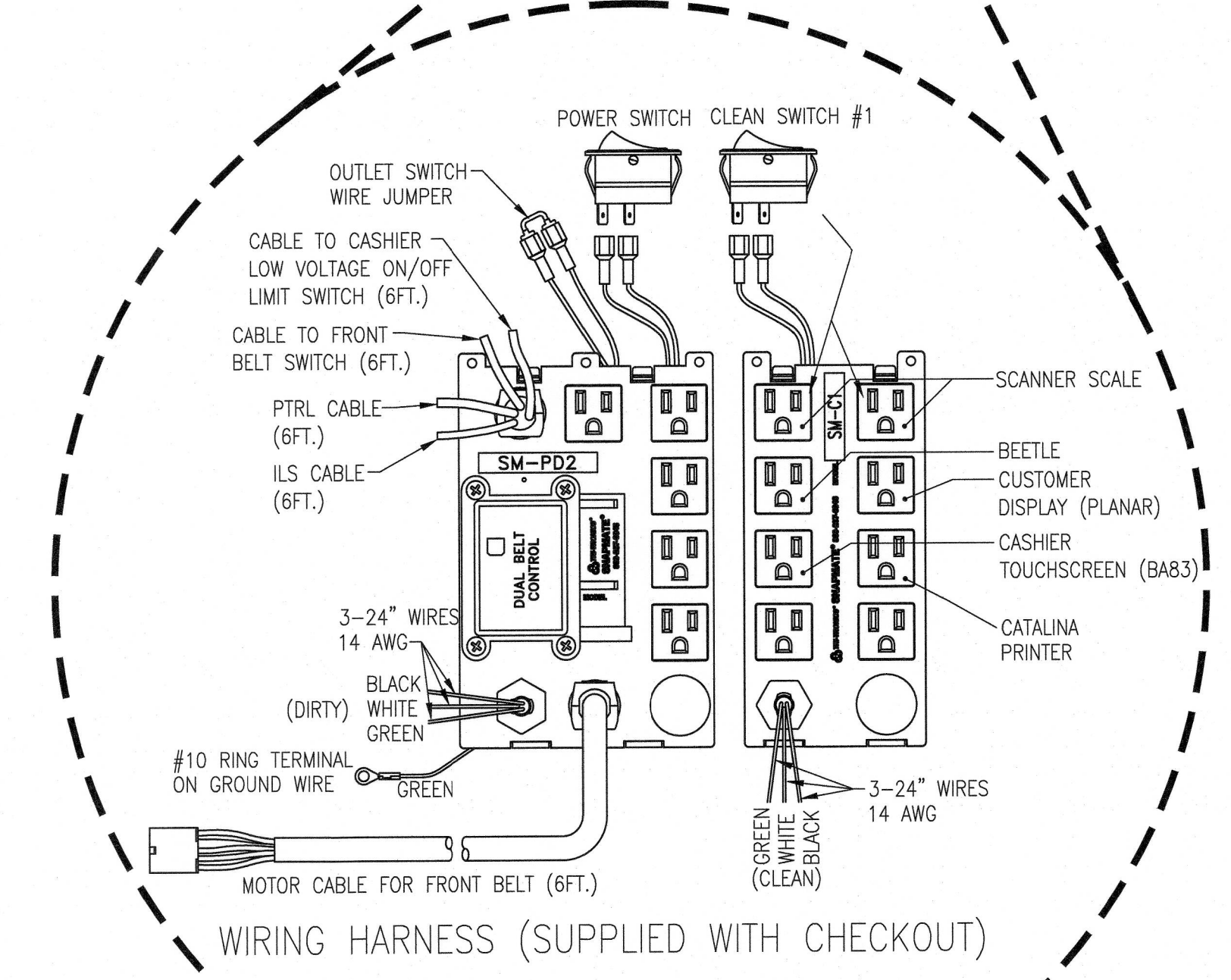
CHECKOUT WIRING LEGEND



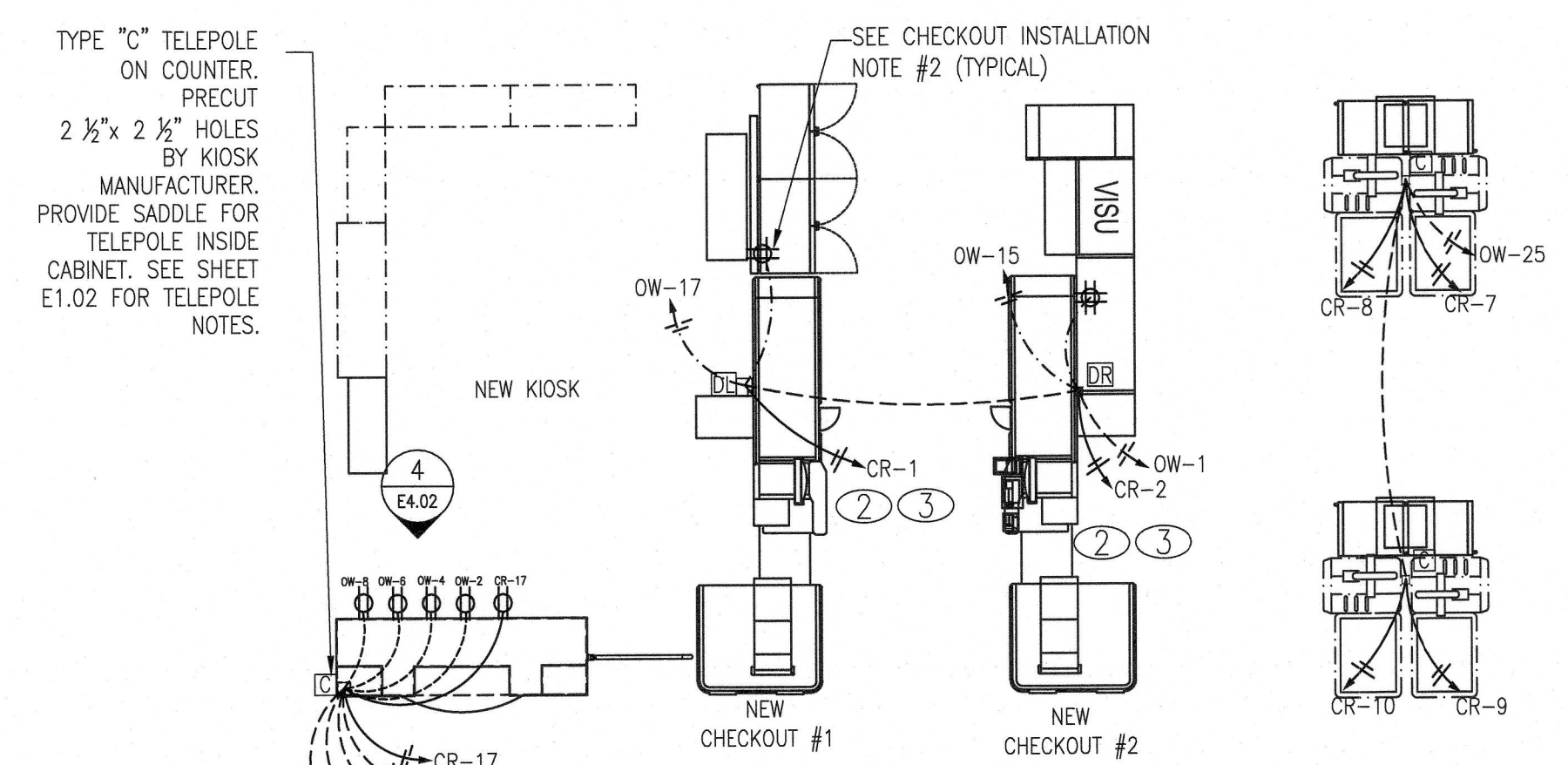
2 SERVICE SIDE ELECTRICAL ELEVATION
E4.02 NTS



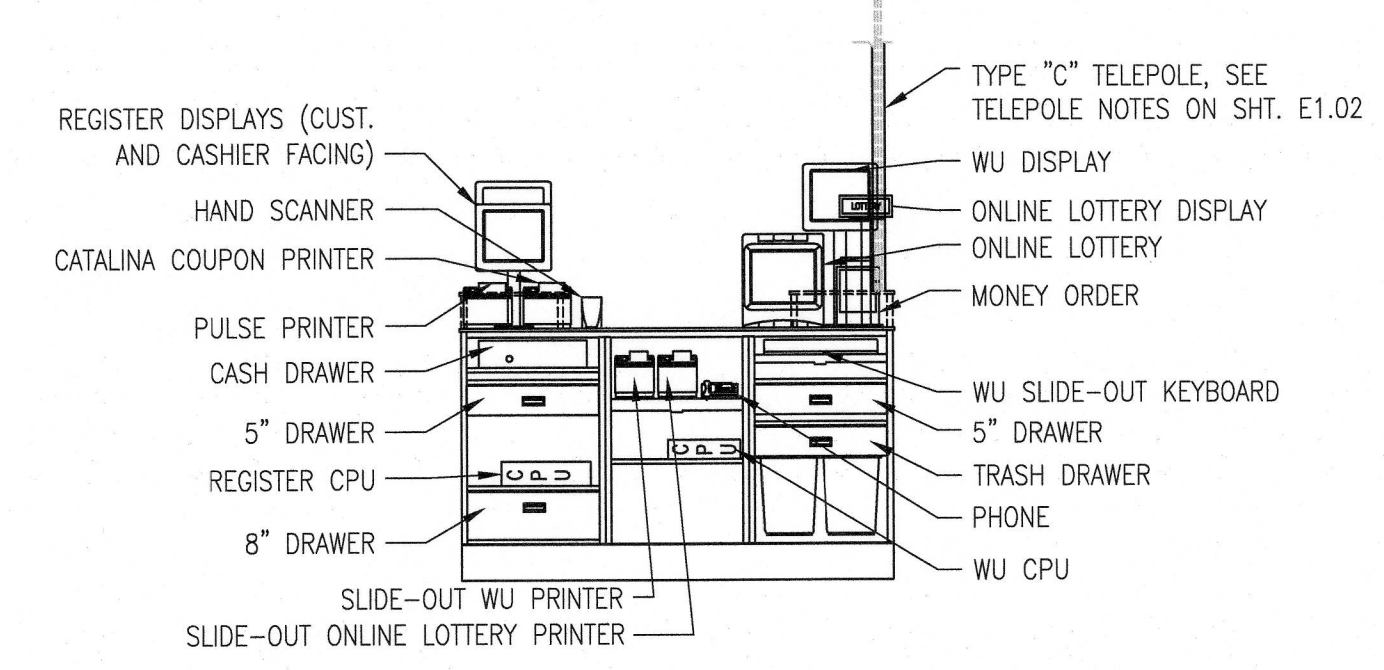
3 ASSOCIATE SIDE ELECTRICAL ELEVATION
E4.02 NTS



WIRING HARNESS (SUPPLIED WITH CHECKOUT)



1 ENLARGED ELECTRICAL POWER PLAN
E4.02 SCALE: 3/16" = 1'-0"



4 CUSTOMER SERVICE KIOSK ELECTRICAL ELEVATION
E4.02 NTS

COPYRIGHT © 2022 INTERPLAN LLC. RESERVES COPYRIGHT & OTHER RIGHTS. VECTURING THESE DOCUMENTS TO THE ORIGINAL SITE OR PURPOSE FOR WHICH THEY WERE PREPARED, REPRODUCTIONS, CHANGES OR ASSIGNMENTS ARE PROHIBITED.