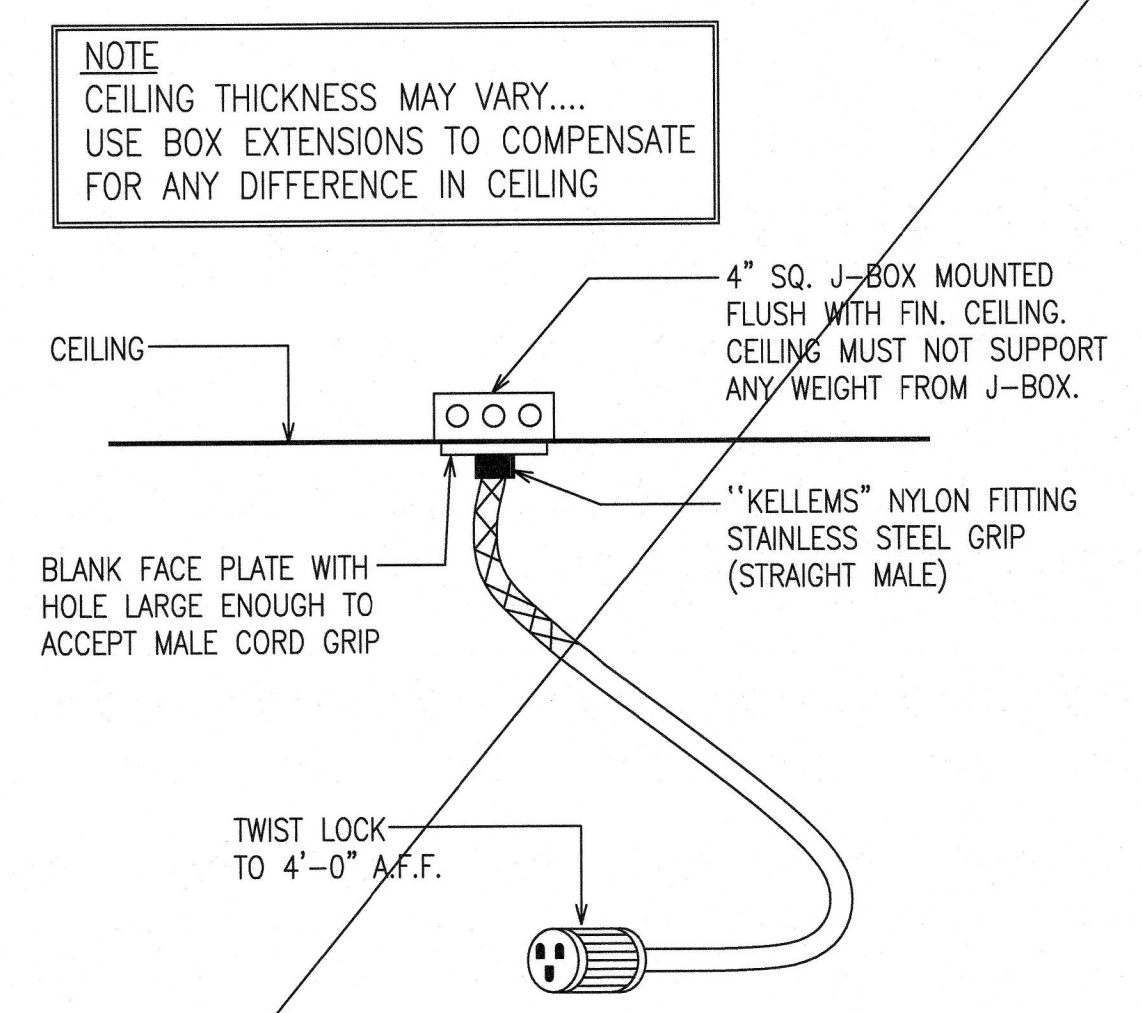
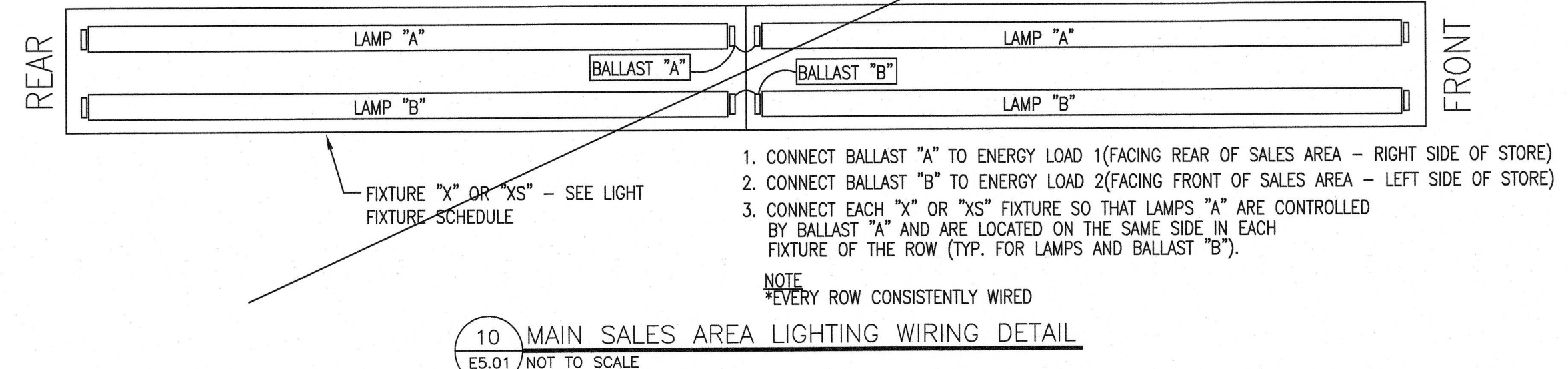
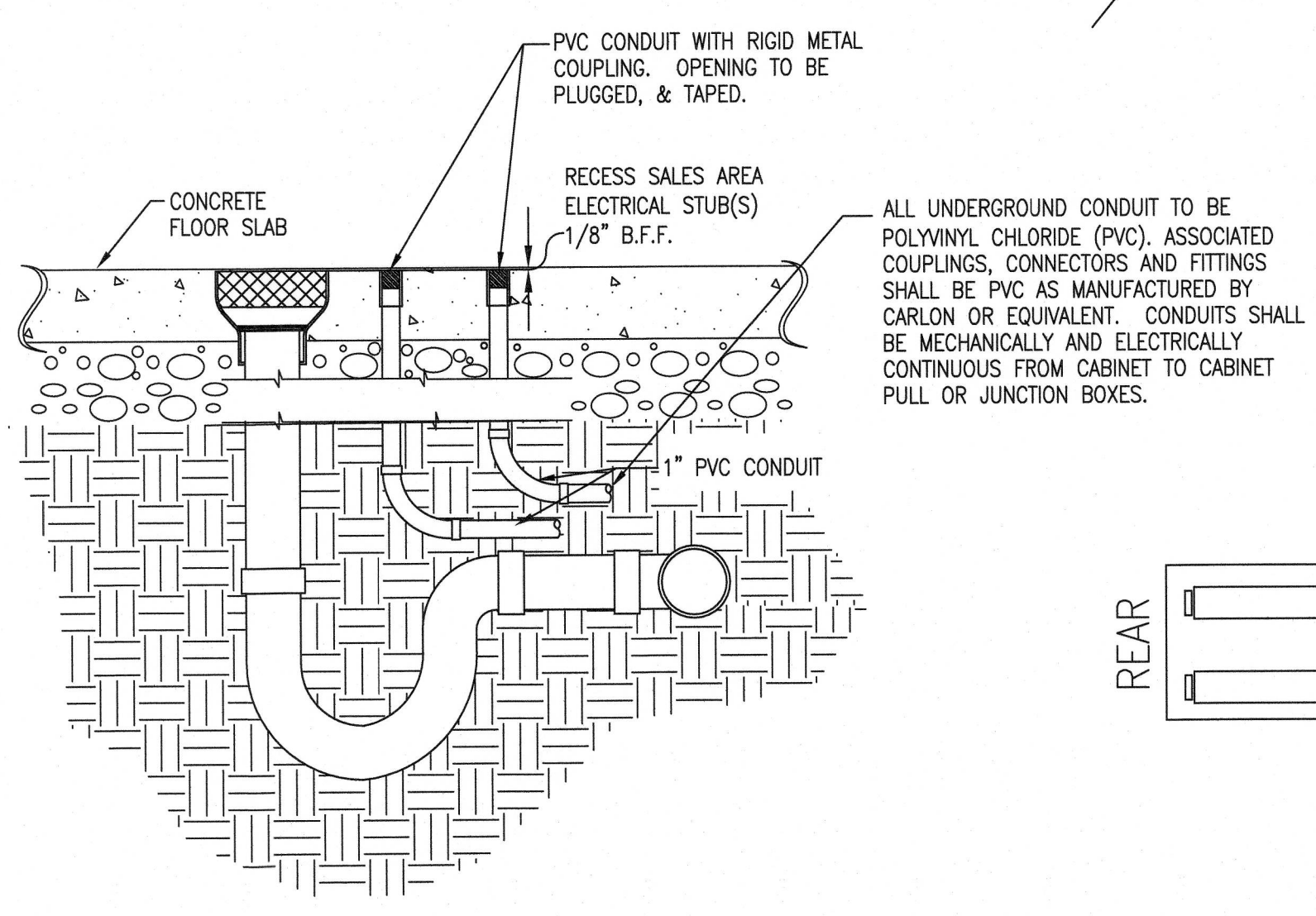
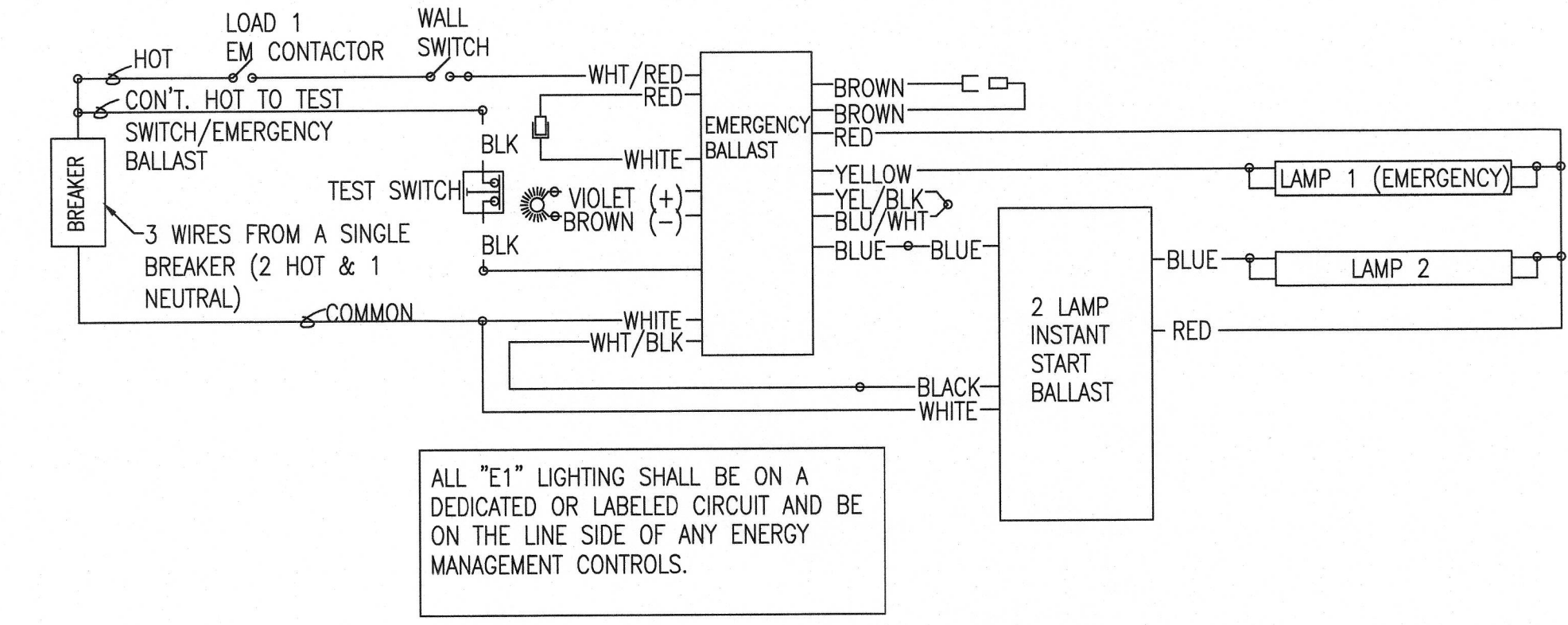
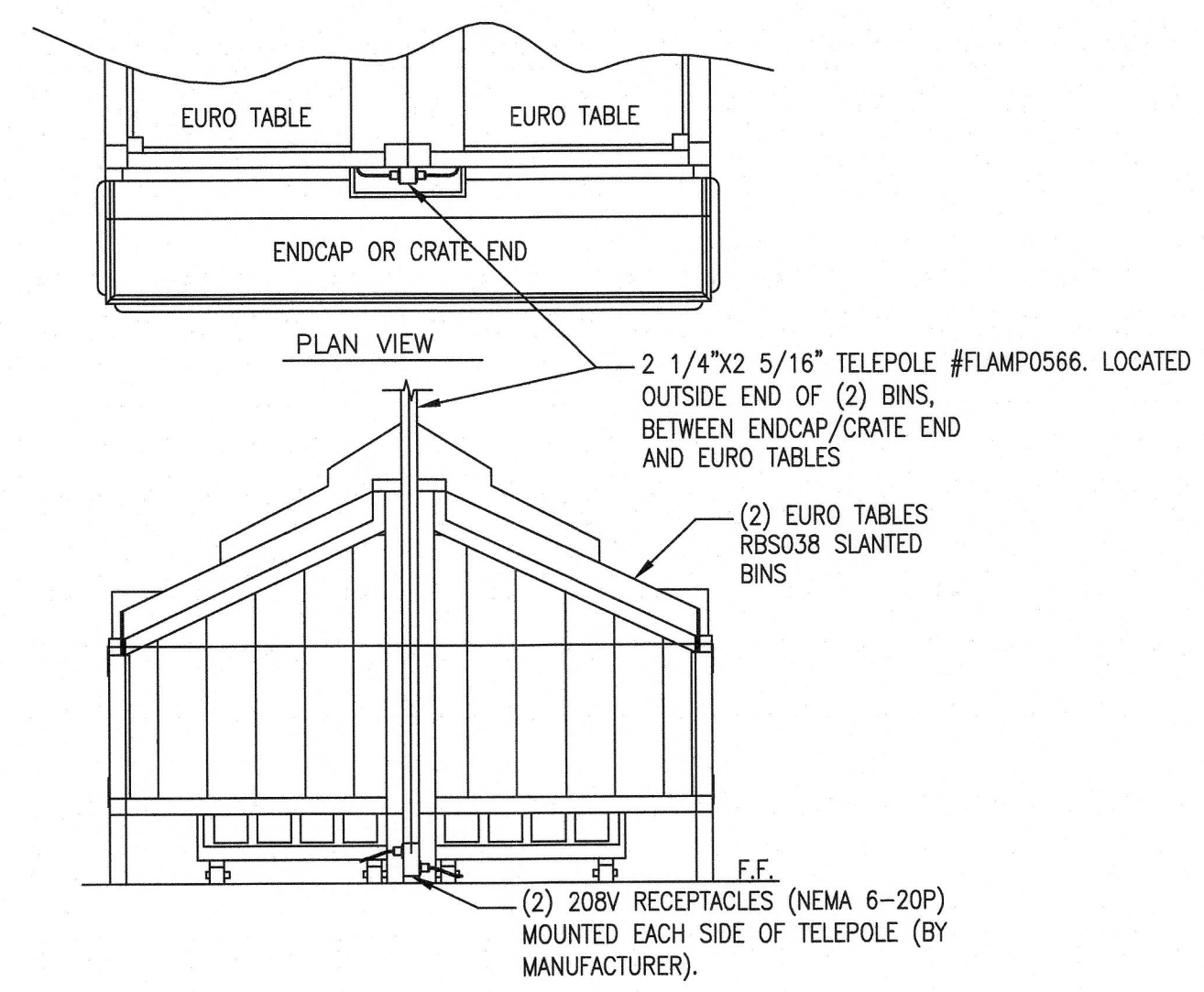
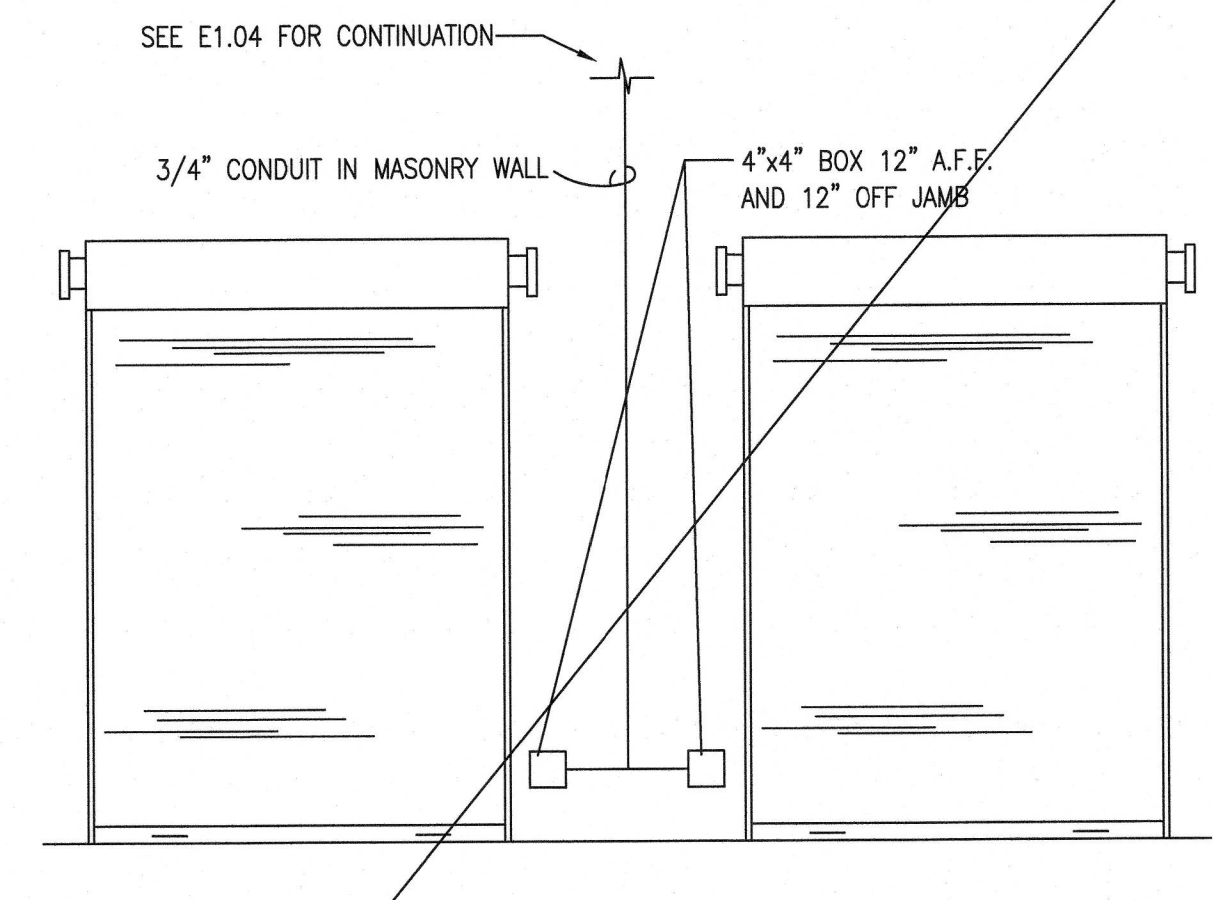
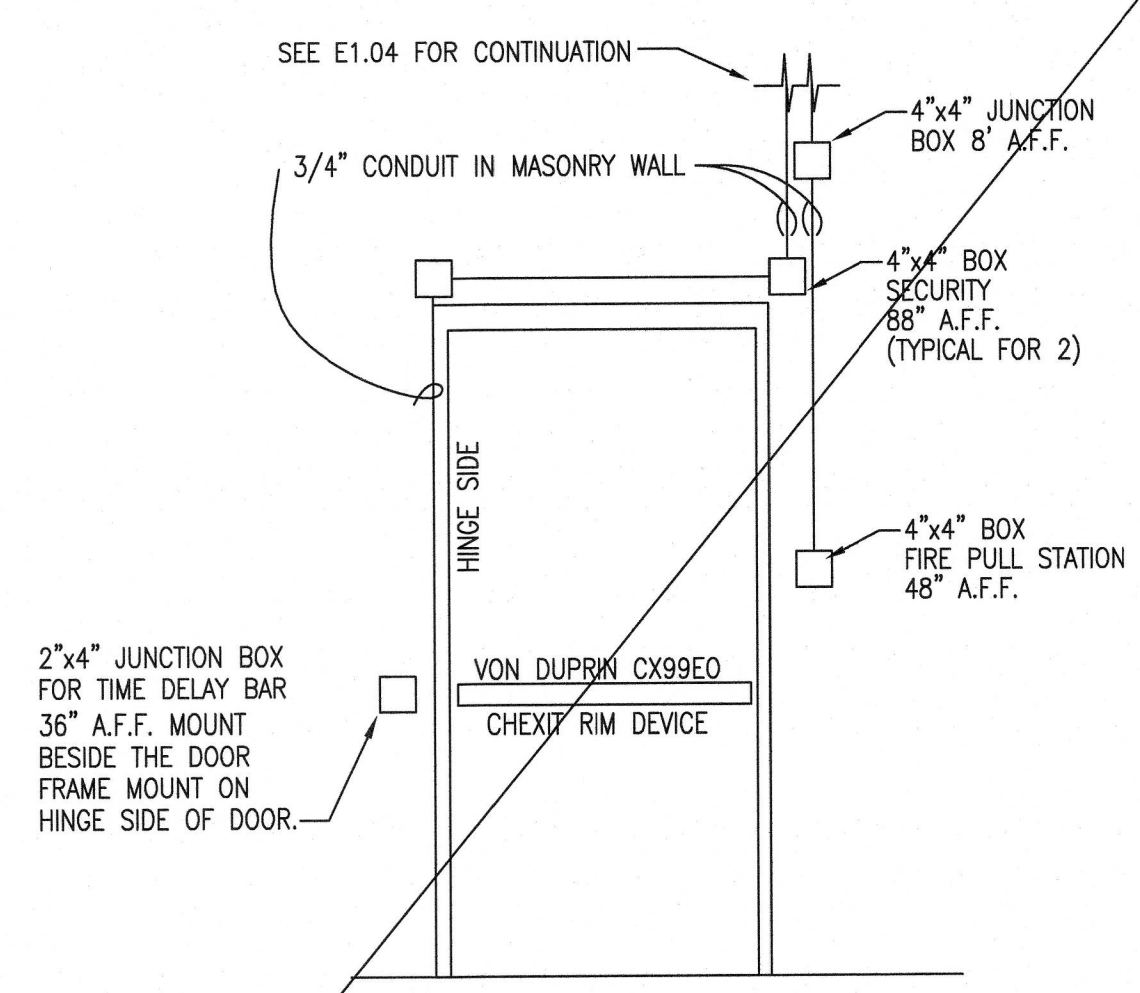
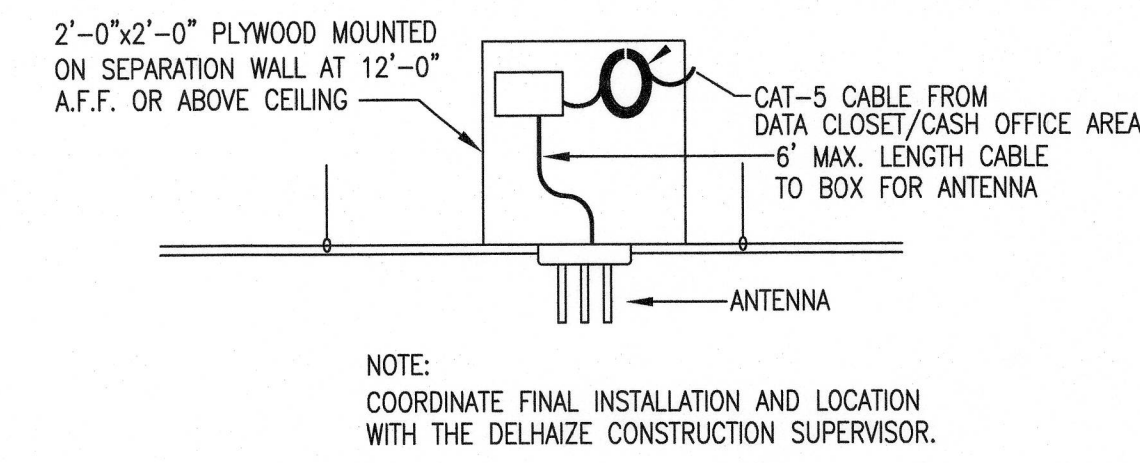
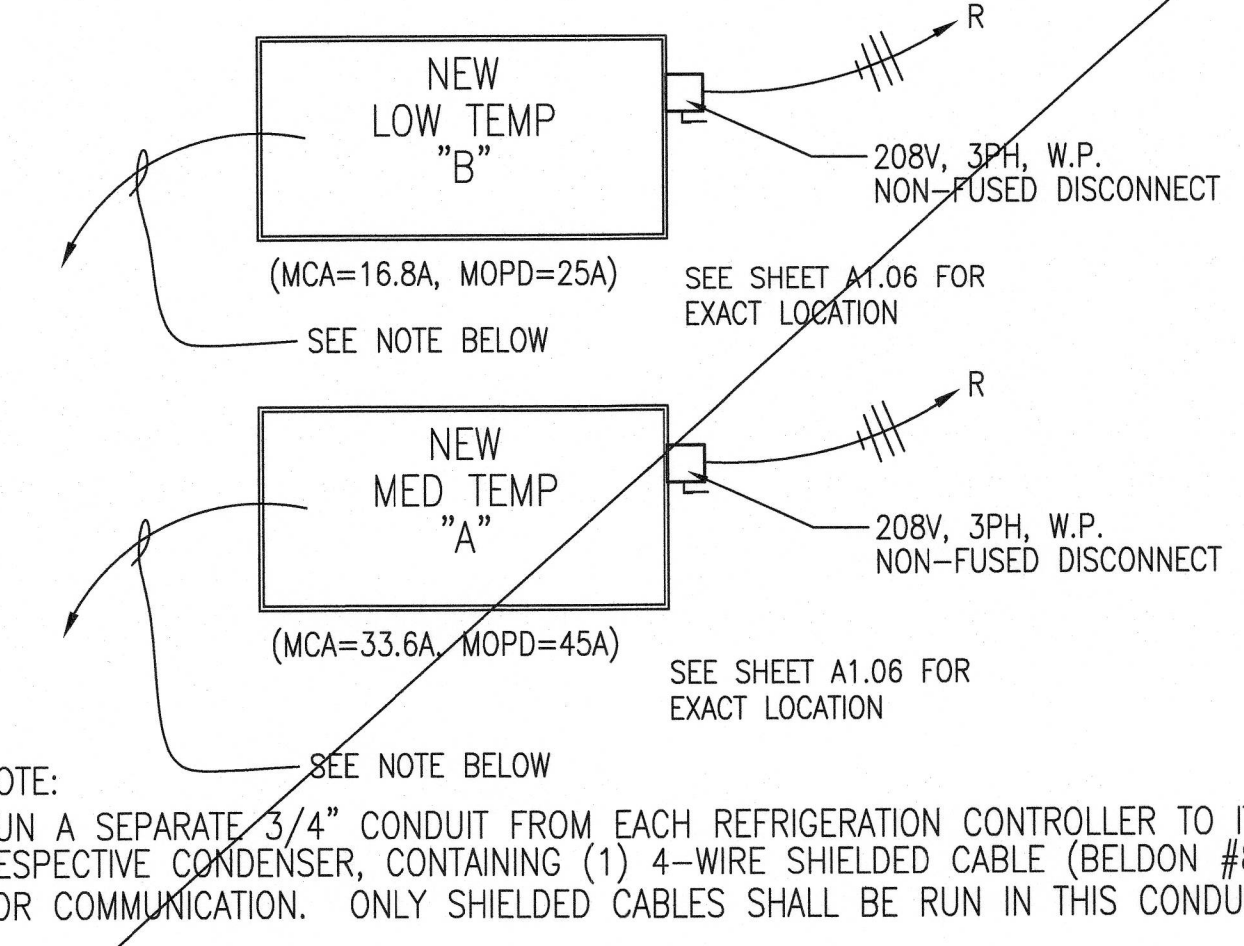


1 ROOFTOP H.V.A.C. EQUIPMENT DETAIL
E5.01 NOT TO SCALE



2 HANGING TWIST LOCK DETAIL
E5.01 NOT TO SCALE



LEGEND			
S	SINGLE POLE SWITCH	⊗	DROP FROM CEILING
Swp	WEATHERPROOF SWITCH	⊕	NEW FLOOR STUB-UP
Sp	SINGLE POLE SWITCH WITH PILOT LIGHT	○	ELECTRICAL CONNECTION UNDER CASE
S3p	THREE-WAY SWITCH WITH PILOT LIGHT	—	FLUORESCENT FIXTURE
Sm	SINGLE POLE, MOTOR RATED SWITCH.	⊙	LIGHT FIXTURE (SEE LIGHT FIXTURE SCHEDULE, SHEET E6.02)
⊕	DUPLEX RECEPTACLE	⊗	EXIT LIGHT
⊕ W.P.	WEATHERPROOF RECEPTACLE	⊕	EMERGENCY LIGHT FIXTURE
⊕ 4	QUADRAPLEX RECEPTACLE	⊙	FAN MOTOR (HORSEPOWER AS NOTED)
⊕	SPECIAL PURPOSE OUTLET (TYPE AS NOTED)	⊕	PUSHBUTTON
⊕	4"x4" JUNCTION BOX	⊕	SIGNAL BELL
⊕	TELEPHONE JACK	⊕	SENSOR, TEMP/HUMIDITY (HANDY BOX MTD.)
⊕	MIC OR INTERCOM (AS NOTED)	⊕ SC	SCALE COMMUNICATION OUTLET
⊕	DISCONNECT SWITCH (TYPE AS NOTED)	⊕	MOTOR STARTER
⊕	THERMOSTAT	⊕	FLOOR BOX WITH BRASS TRIM AND DUPLEX RECEPTACLE.
⊕	MAGNETIC SWITCH		