

PLUMBING FIXTURE SCHEDULE

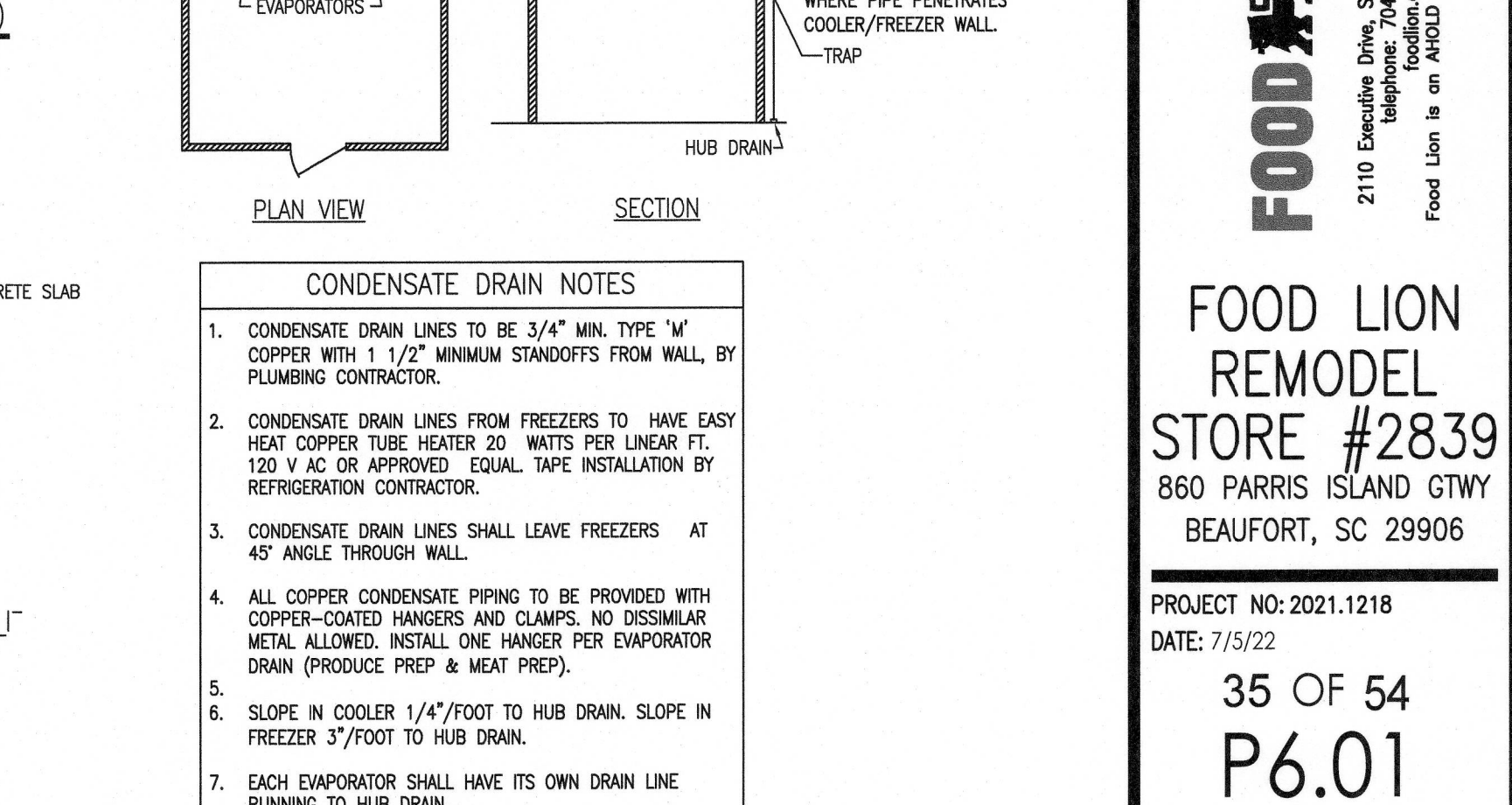
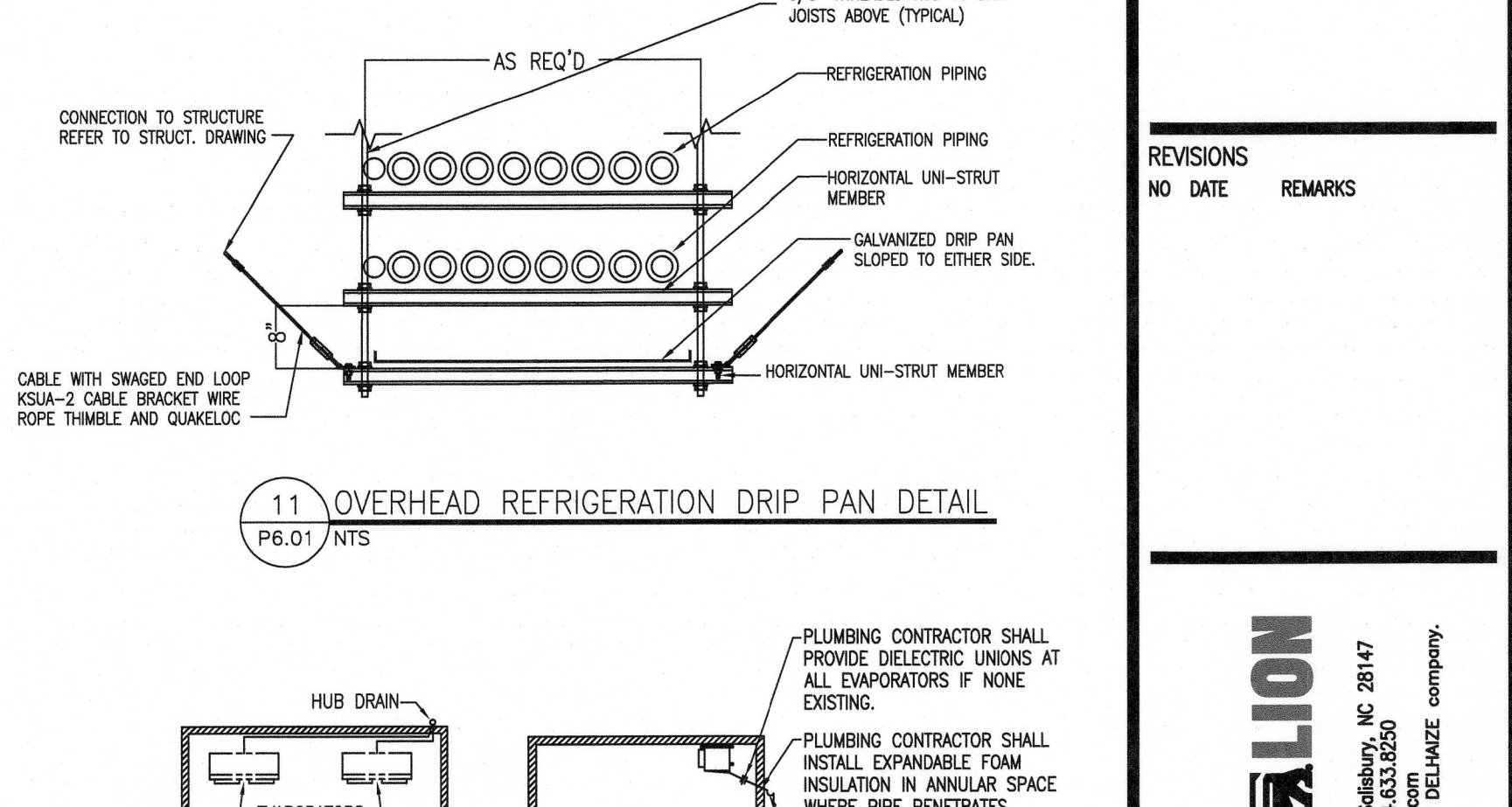
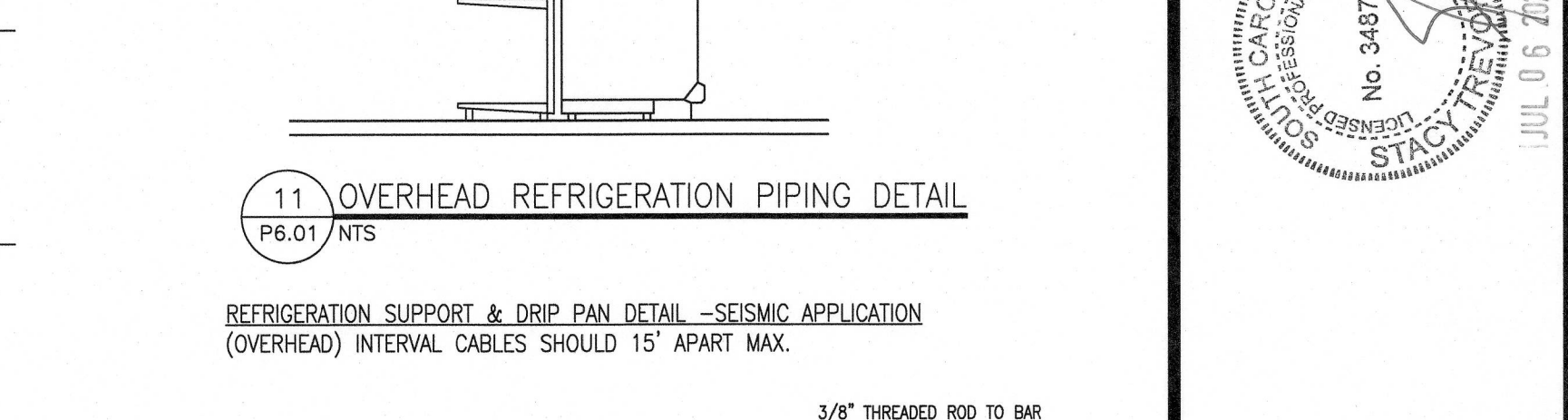
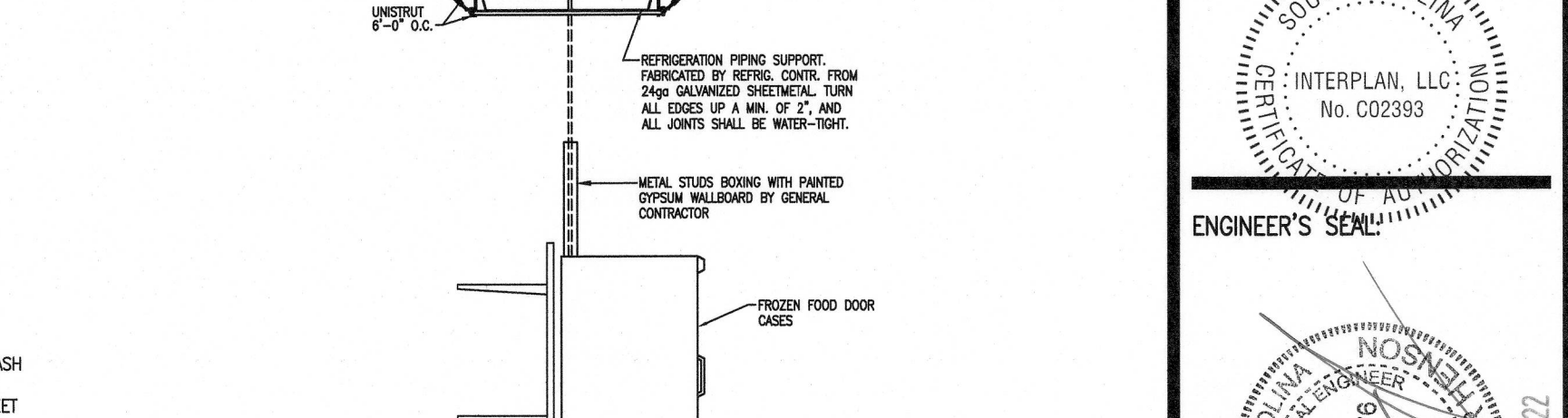
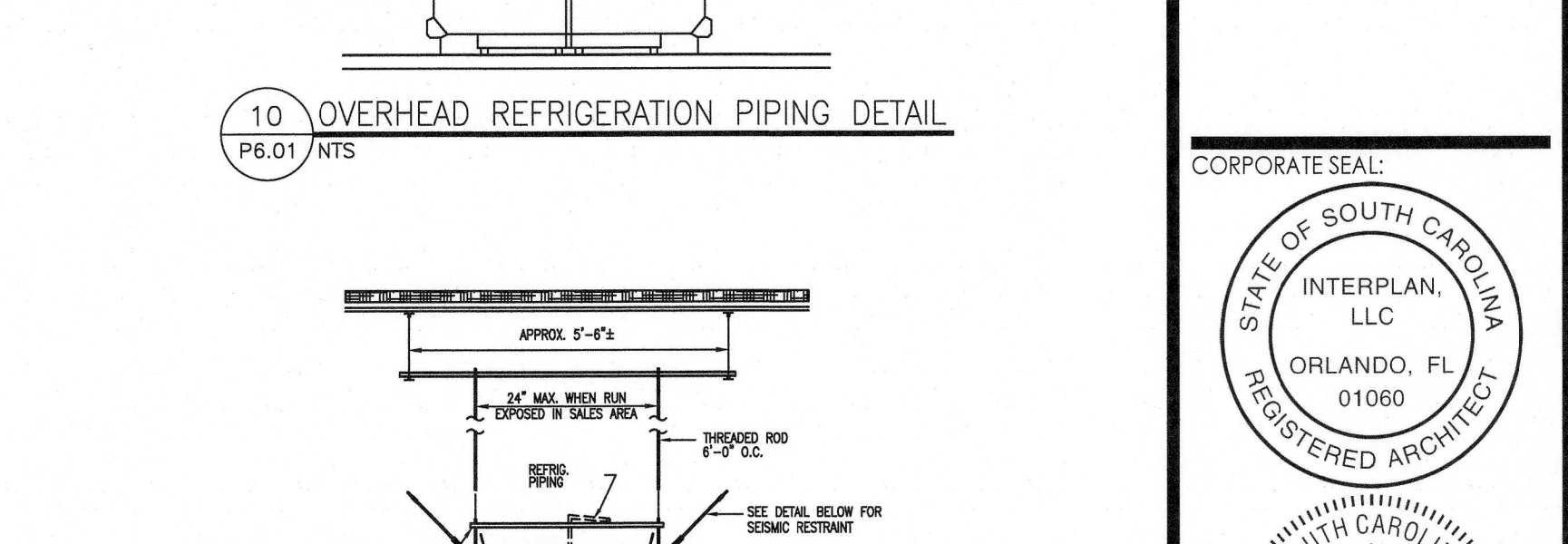
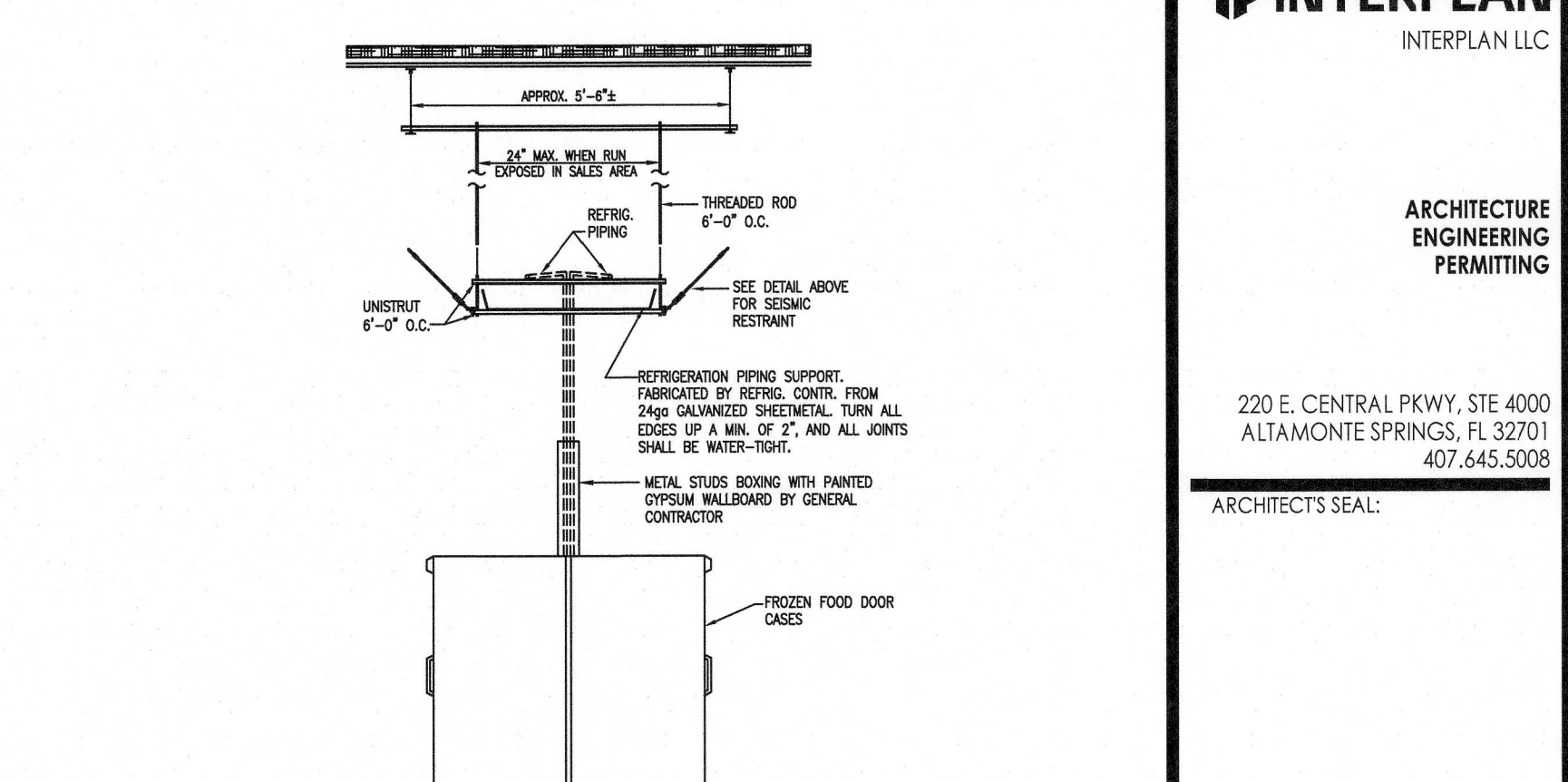
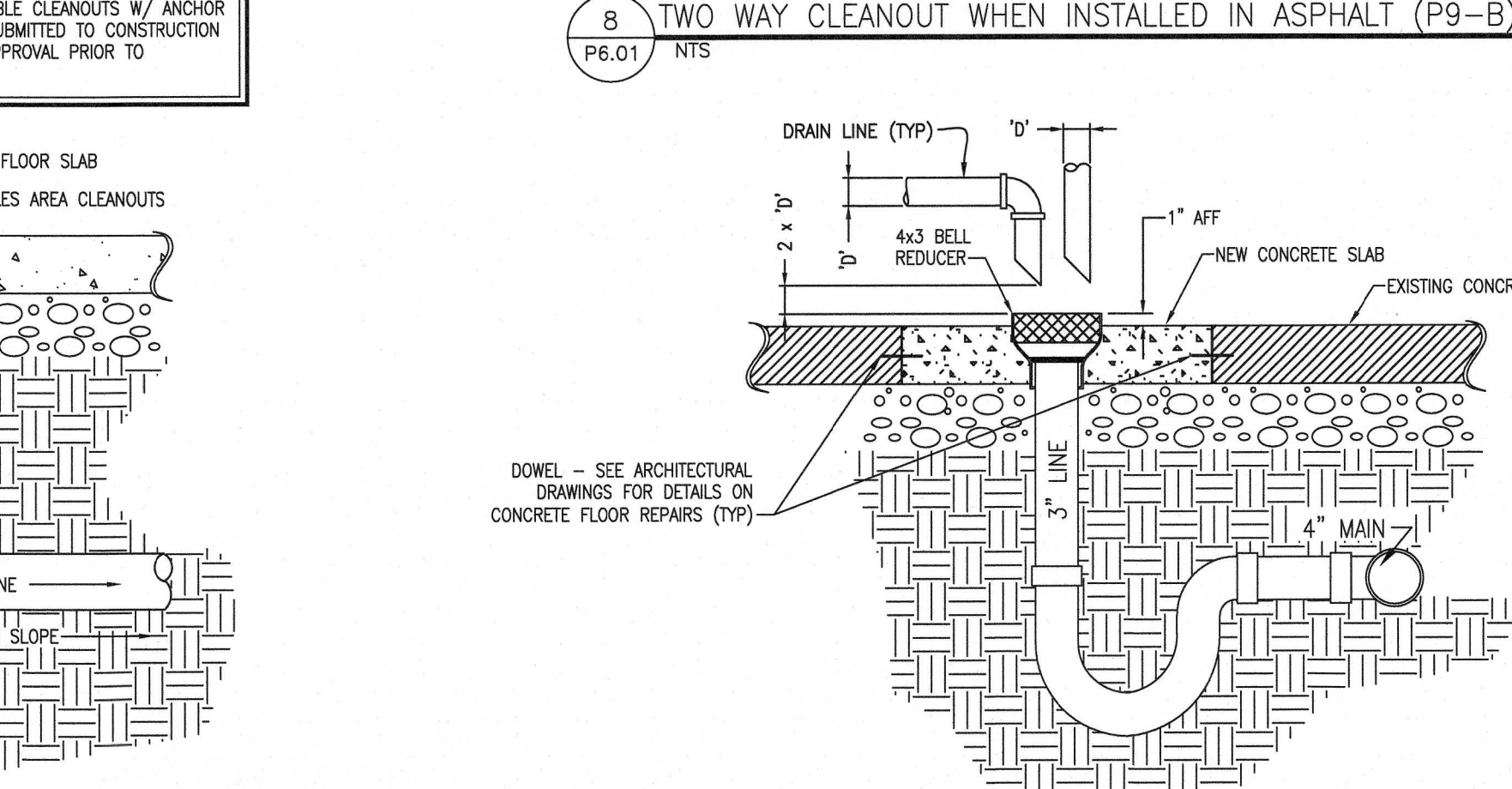
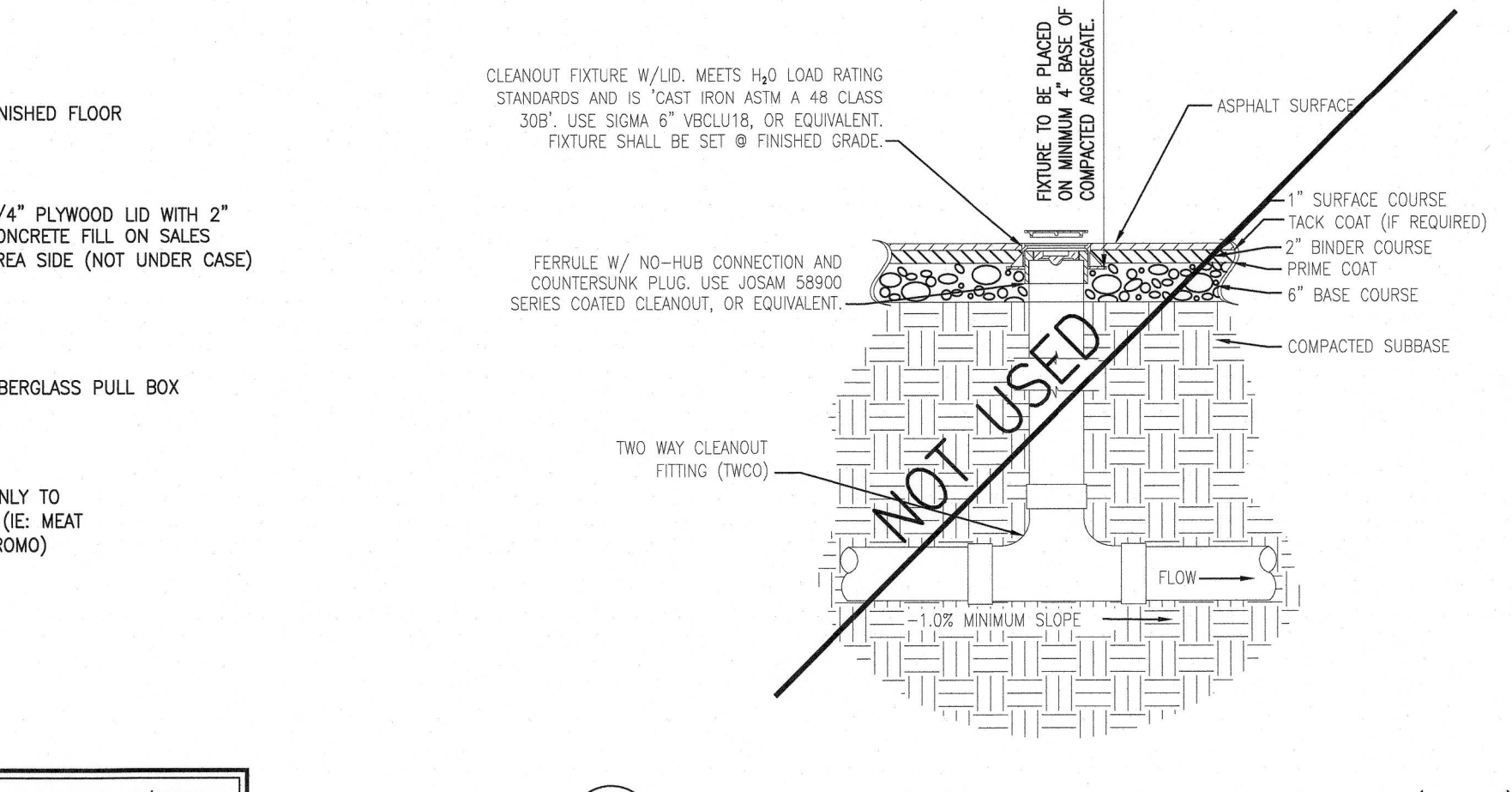
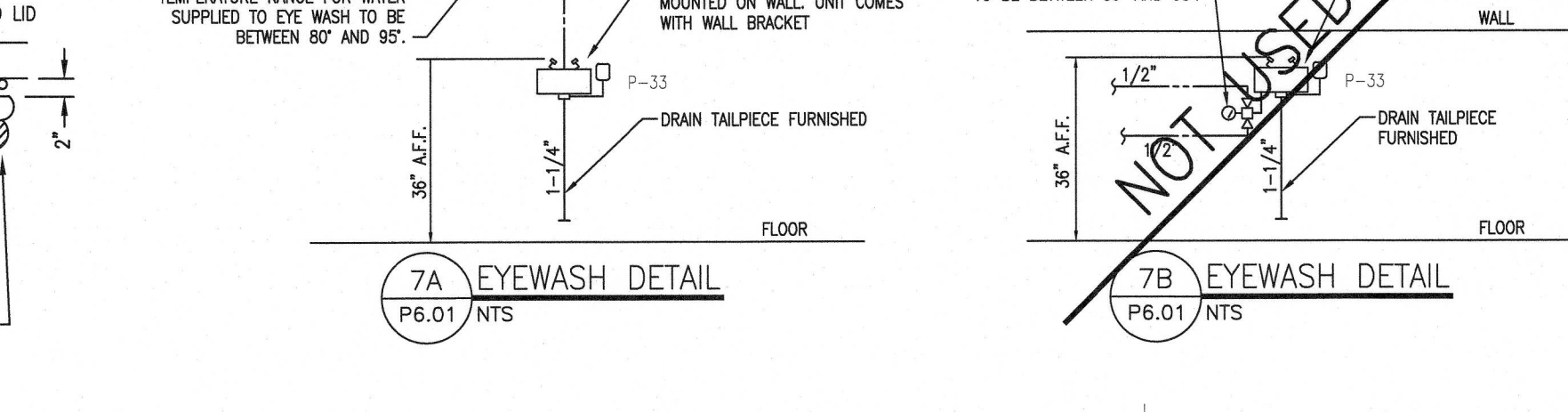
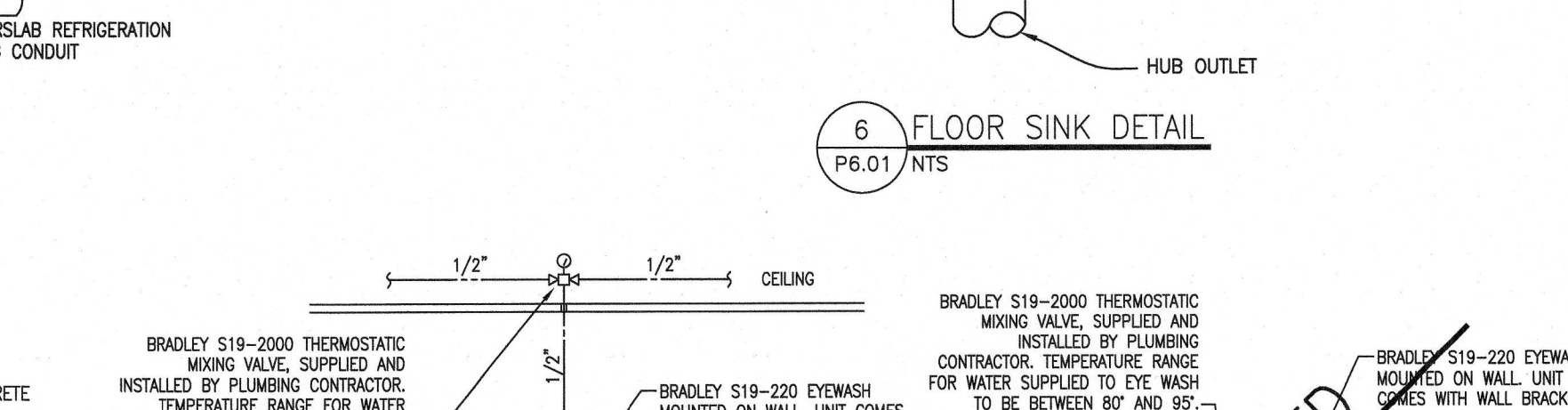
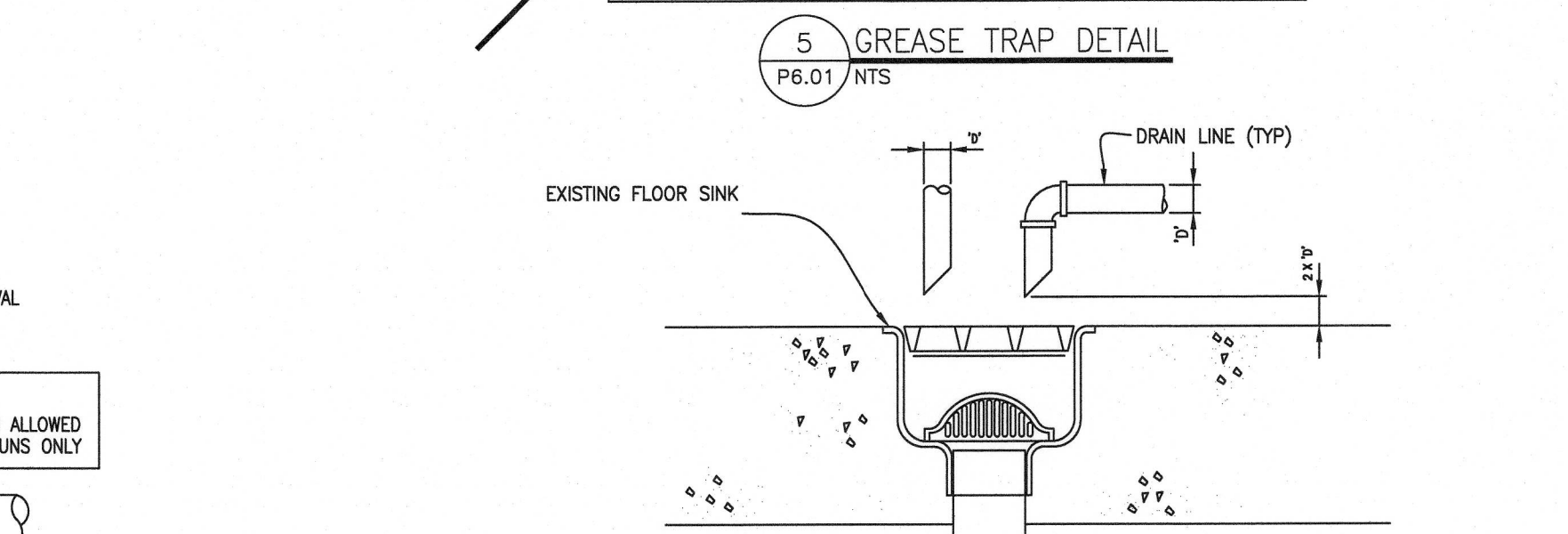
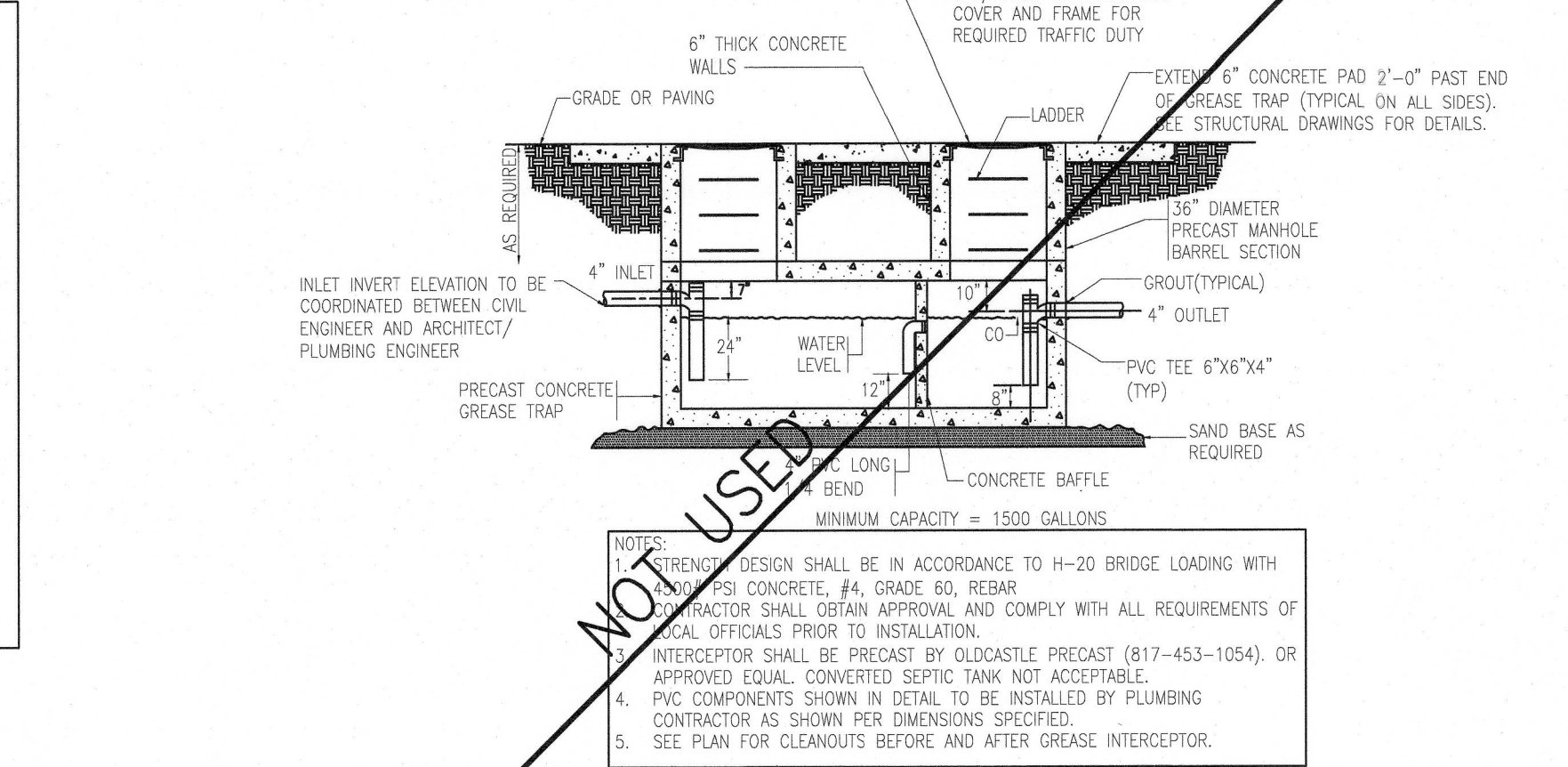
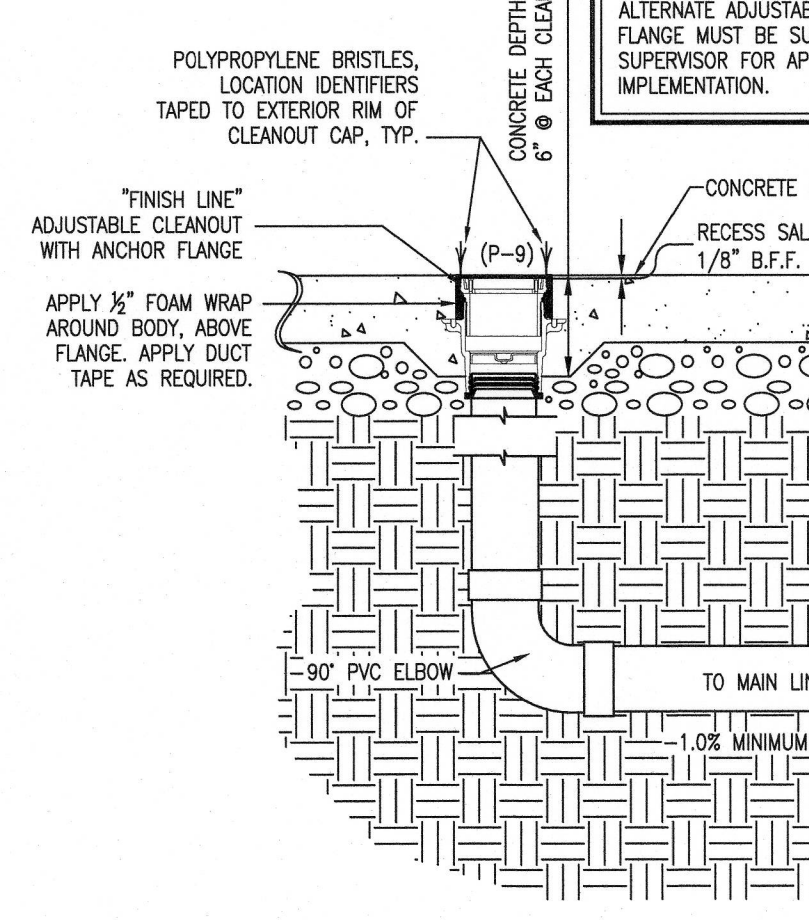
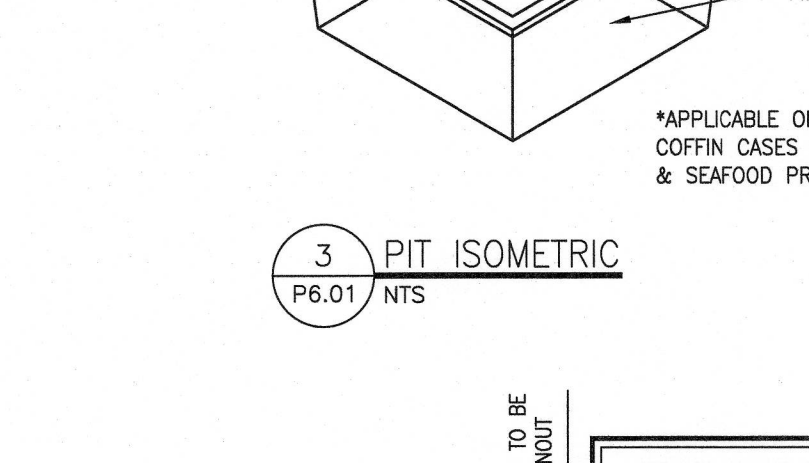
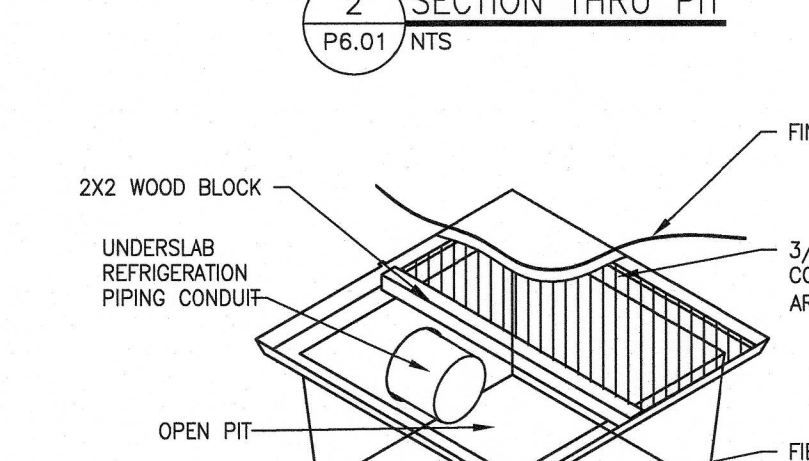
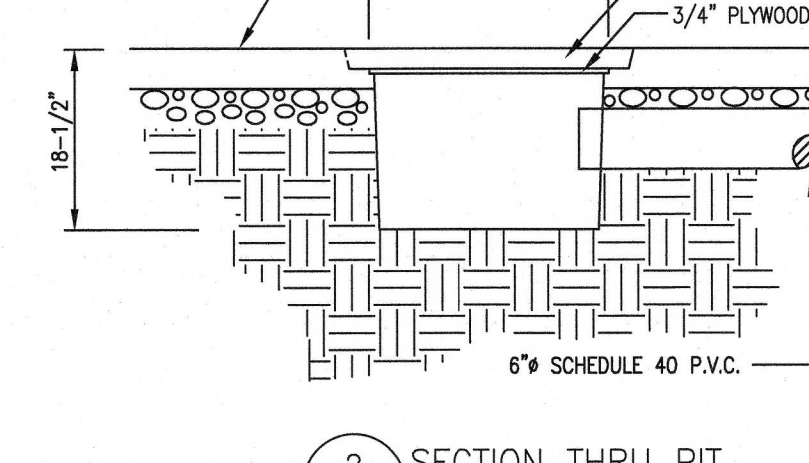
MARK	FIXTURE	MANUFACTURER/SUPPLIER	MODEL No.	MATERIAL	SIZE	FAUCET AND DRAIN	TRAP	SUPPLIES AND STOPS	REMARKS
P-1	WATER CLOSET	AMERICAN STANDARD	#2224-015	VITREOUS CHINA	BLOND BOWL	---	---	---	SLOW 111 REGAL FLUSH VALVE
P-1A	TANK TYPE WATER CLOSET	AMERICAN STANDARD	#2233-100	VITREOUS CHINA	BLOND BOWL	---	---	ANGLE STOPS	PRESSURE-ASSISTED TANK TYPE
P-1A	WATER CLOSET (HG)	AMERICAN STANDARD	#2043-102	VITREOUS CHINA	BLOND BOWL	---	---	---	SLOW 111 REGAL FLUSH VALVE FLUSH VALVE ON OPEN SIDE SIDE OF SPALL
P-1A	TANK TYPE WATER CLOSET (HG)	AMERICAN STANDARD	#2267-015	VITREOUS CHINA	BLOND BOWL	---	---	ANGLE STOPS	PRESSURE-ASSISTED TANK TYPE
P-2	URINAL	AMERICAN STANDARD	#6500-001 0.5 GPF	VITREOUS CHINA	18"x26"	---	---	---	SLOW 111 REGAL XL FLUSH VALVE
P-3	LAVATORY	AMERICAN STANDARD	#0124-024	VITREOUS CHINA	20"x18"	#7385-020 WITH #2411-015-002 GRID DRAIN	17 GA	---	ANGLE STOPS
P-3A	LAVATORY (180)	AMERICAN STANDARD	#0124-024	VITREOUS CHINA	20"x18"	#7385-020 WITH #2411-015-002 GRID DRAIN 7723-019 OFFSET	17 GA	---	ANGLE STOPS
P-4	TWO LEVEL ELECTRIC WATER COOLER	GRANGER ELKAY	EZ2SLRC	STAIN STEEL	38"x19"	---	---	8.0 GPH	WHEEL HAND STOP MOUNT ONE UNIT AT HANDICAP HEIGHT
P-4A	SINGLE WATER COOLER	GRANGER ELKAY	E2SS	STAIN STEEL	19"x10"	---	---	8.0 GPH	WHEEL HAND STOP MOUNT AT HANDICAP HEIGHT
P-5	MIXING FAUCET	AMERICAN STANDARD	#8350-243	CAST BRASS	---	---	---	---	VACUUM BREAKER LEVER HANDLES
P-5-B	WALL FOUNTAIN	ZURN	Z-133B	BRONZE	---	---	---	---	VACUUM BREAKER KEYS
P-5A	WALL FOUNTAIN	ZURN	Z-132B	BRONZE	---	---	---	---	VACUUM BREAKER KEYS
P-6	CAN WASH FAUCET	T & S	TS-066B-BSTB	CHROME PLATED	---	---	---	---	VACUUM BREAKER INTERNAL STOPS & WALL BRACKET WITH CHECK VALVES
P-7	FLOOR DRAIN	ZURN	ZB-415	CAST BRONZE STRAINER	4"	---	---	---	DEEP SEAL TRAP BACKWATER VALVE
P-8A	FRENCH DRAIN	AST, INC.	POLYDRAIN CHANNEL #100	---	---	---	---	---	DEEP SEAL TRAP No. 2502 DUCTILE IRON GRATE W/805.44 VERTICAL OUTLET & CLOSED END PLATES
P-8B	FRENCH DRAIN	AST, INC.	POLYDRAIN CHANNEL #90	---	---	---	---	---	DEEP SEAL TRAP No. 2503 DUCTILE IRON GRATE W/805.44 VERTICAL OUTLET & CLOSED END PLATES
P-9	FLOOR CLEAN-OUT	SIoux CHIEF	834-4PBR	PVC WITH NICKEL BRONZE TOP	4"	---	---	---	WITH BODY FLANGE REFER TO DETAIL ON SHEET P6.01
P-9A	TWO WAY CLEAN-OUT IN CONCRETE	SIoux CHIEF	834-4PBR	PVC WITH NICKEL BRONZE TOP	4"	---	---	---	WITH BODY FLANGE USE IN CONCRETE REFER TO DETAIL ON SHEET P6.01
P-9B	TWO WAY CLEAN-OUT	JOSAM	5880D SERIES	CONCRETE CAST IRON BRONZE PLUG	4"	---	---	---	EXTERIOR WHEN IN ASPHALT SEE DETAIL ON SHEET P6.01 WITH SLOW 111 REGAL FLUSH VALVE OR EQUIVALENT MUST MEET PLUMBING CODES AND IS CAST IRON
P-10	MEAT PREP SINK	JOHN BOOS	3P8244-2024-FL	TYPE 300 STAINLESS STEEL	30"x18"	(3) 8-3852 LEVER WASTE DRAIN (1) T&S B 1128 FAUCET 8" CC 12" SPOUT	---	VACUUM BREAKER AND ANGLE STOPS	(3) 899051253 STANDOFF BRACKETS
P-11	PRODUCE PREP SINK	JOHN BOOS	3P8244-2024-FL-1	TYPE 300 STAINLESS STEEL	30"x18"	(1) T&S B 1128 FAUCET (1) T&S B 1128 FAUCET (1) T&S B 1128 FAUCET	---	VACUUM BREAKER AND ANGLE STOPS	(3) 899051253 STANDOFF BRACKETS
P-12	WATER HEATER	GRANGER RHEEM-RUDD (ELEC)	ES85-54-6	---	68 GAL	---	---	---	SURFACE MOUNT THERMOSTAT ELECTRIC WATER HEATER 84 KW 208 V 3 PH
P-12A	WATER HEATER	GRANGER RHEEM-RUDD (ALTERNATE GAS)	HE80-188	---	80 GAL	---	---	---	120V CONTROL BOX SPECIAL COMBINATION GAS PIPE 195 MSH INPT
P-13	WATER HEATER (PREHEATER)	GRANGER THERMA-STOR (RECLAIM)	TS-III-1	---	120 GAL	---	---	---	6000 WATT ELEMENT WITH STAND
P-14	SEAFOOD & MEAT PREP HAND SINK	JOHN BOOS	PH85-W-1820KVL	TYPE 300 STAINLESS STEEL	18"x22"	005438 BASKET DRAIN T&S B 0329 KNEE VALVE T&S B 0828 SW BASE	---	---	---
P-15	DELI-BAKERY SINK	JOHN BOOS	3P8244-2024FL	TYPE 300 STAINLESS STEEL	30"x18"	(3) 8-3852 LEVER WASTE DRAIN (2) T&S B 1128 FAUCET (1) T&S B 1128 FAUCET	---	VACUUM BREAKER AND WALL BRACKET	(3) 899051253 STANDOFF BRACKETS
P-16	GREASE TRAP	---	---	---	1,500 GALLONS	---	---	---	EXTERIOR REDESIGNED HEAVY TRAFFIC RATED
P-17	FLOOR DRAIN	ZURN	Z-560	CAST IRON	4"	---	---	---	DEEP SEAL TRAP
P-18	FLOOR DRAIN	ZURN	ZB-610-H W/21000	CAST BRONZE STRAINER	12"x12"	---	---	---	HINGED GRATE WITH SEDIMENT BUCKET
P-19	FLOOR DRAIN	ZURN	ZB-508-18 W/21000	CAST BRONZE STRAINER	8"	---	---	---	HEEL PROOF SECURED GRATE
P-20	WALL CLEANOUT	JOSAM	5880D	BRONZE PLUG STAINLESS WALL PLATE	---	---	---	---	---
P-21	PRODUCE PREP HAND SINK	JOHN BOOS	PH85-W-1820-FL	TYPE 300 STAINLESS STEEL	18"x22"	005438 BASKET DRAIN T&S B 1146 FAUCET OPTIONAL 4" WREST ACTION	---	---	WALL BRACKET
P-22	WATER HAMMER ARRESTER	JR SMITH	SERIES 5000	---	---	---	---	---	---
P-23	FLOOR SINK	PLASTIC ODITIES	PFS 300 T	---	14"x14"	---	---	---	14"x14" W/ 12" ROUND GRATE SECONDARY STRAINER
P-24	MOP BASIN	REDUCO	5596-363608-8020	RUBBER BASKET FIBERGLASS	36"x26"	3" GRID DRAIN AND RUBBER BASKET	DEEP SEAL TRAP	VACUUM BREAKER	W/ 1/2" WALL BRACKETS SEE SUPPLIER INFO
P-24A	MOP BASIN	FAT	TSB-500 SERIES	RUBBER BASKET FIBERGLASS	36"x26"	3" GRID DRAIN RUBBER BASKET 638-44 SERVICE FAUCET	DEEP SEAL TRAP	VACUUM BREAKER	10" DEEP W/ 2 1/2" WALL BRACKETS SEE SUPPLIER INFO
P-25	WATER HEATER	RHEEM-RUDD	ES85-10	---	10 GAL	---	---	---	(1) 2000 WATT ELEMENT 120V 1PH
P-26	1 COMPARTMENT D/B CHICKEN SINK AND SEAFOOD SINK	JOHN BOOS	1PB184-1D18L-FL	TYPE 300 STAINLESS STEEL	24"x41"	B-3852 LEVER WASTE DRAIN T&S B 1128 FAUCET	---	VACUUM BREAKER AND WALL BRACKET	18" SPLASHGUARD
P-27	2 COMPARTMENT VEGETABLE SINK	JOHN BOOS	2PB244-1D24L-FL	TYPE 300 STAINLESS STEEL	40"x71"	B-3852 LEVER WASTE DRAIN T&S B 1128 FAUCET	---	VACUUM BREAKER AND WALL BRACKET	24" SPLASHGUARD
P-28	DELI/BAKERY HAND SINK	JOHN BOOS	PH85-W-1820KVL	TYPE 300 STAINLESS STEEL	18"x22"	005438 BASKET DRAIN T&S B 0329 KNEE VALVE T&S B 0828 SW BASE	---	---	---
P-29	ROOF DRAIN	ZURN	Z-100	CAST IRON	4"	---	---	---	CAST IRON DOME
P-30	HOSE REEL	WOODWARD	W3002-24	POULISHED CHROME	---	---	---	---	CHROME VACUUM BREAKER CHROME STANDARD LOOSE KEY
P-31	LEUNGE SINK AND QUARTER	JOHN BOOS	BRC-0024-1HW-FL	16 GAUGE STAINLESS STEEL	30"x24"	005438 BASKET DRAIN T&S B 0329 FAUCET	---	---	---
P-32	EXPANSION TANK	BAG	F1A-10	---	8.4 GAL	---	---	---	---
P-32A	EXPANSION TANK	BAG	F1A-15	---	2.6 GAL	---	---	---	---
P-32B	EXPANSION TANK	BAG	F1A-20	---	8.0 GAL	---	---	---	---
P-33	EMER. EYEWASH UNIT WITH BRACKET	BRADLEY	S19-220	---	---	---	---	---	SEE DETAIL ON SHEET P6.01
P-33A	DECK MOUNTED EYEWASH	DISAPRON	G1805-2M	---	---	---	---	---	PROVIDE THERMOSTATIC MIXING VALVE
P-34	TRAP PRIMER	PRECISION PLUMBING	AP59-500	---	---	3/4" TYPE L SOFT RUBBER	---	---	MOUNTED & MINOR 1/4" AFF EXPOSURE PRIMER & MOUNTED IN AN AREA ACCESSIBLE FOR SERVICE
P-35	RECESSED WALL FOUNTAIN	WOODWARD	B65	BRASS	3/4"	---	---	---	LOOSE KEY FREEZERPROOF LOCKING COVER

ACCEPTABLE ALTERNATE MANUFACTURERS:

P-1	TOTO CITOSEN KOHLER K-4350	P-8	SMITH 2005-DV-PB WADE W-1104-TS7-31-2 JOSAM 30004-7E1-2 WATTS FD-100-A7-B
P-1A	TOTO CITOSELN KOHLER K-4388	P-8A	J.R. SMITH TOILET SYSTEM
P-2	TOTO UT447E (0.5 GPF) KOHLER K-4940-ET (0.5 GPF)	P-17	JOSAM 39964 W/67104A WATTS FD-480-F-9 WADE W-1640
P-3	TOTO LT307.4 KOHLER K-2054	P-18	SMITH 2415-B-PB WADE W-2310-1-14 W/2450 JOSAM 37810-20-14-Z
P-4	HALSEY TAYLOR WM-19W	P-19	JOSAM 32300-1.88100 WATTS FD-320-Y-6
P-5	KOHLER K-8906	P-20	WATTS CO-590-RD WADE W-8620-NC JOSAM 71650-52-80 WATTS HY420-6
P-6	SMITH 5609-QT WOODFORD MODEL 60 WADE W-8620-L JOSAM 71650-50 WATTS HY420-6	P-21	WATTS CO-590-RD WADE W-8590-W-R480R
P-6A	SMITH 5580 WADE W-8608-NC JOSAM 71650-52-80 WATTS HY420-6	P-22	SIoux CHIEF 861.3PX
P-7	AMERICAN STANDARD 8344-111	P-29	WATTS RD-300K

LOCATION & PHONE FOR FIXTURE SUPPLIERS:

PLASTIC ODITIES	SHELBY, NC	PH(800) 438-5327
JOHN BOOS	ROSWELL, GA	PH(800) 327-1817
GRANGER	CHARLOTTE, NC	PH(704) 904-6151
JOSAM	RICHMOND, VA	PH(800) 446-2728
THERMA-STOR	DEC INTERNATIONAL	PH(800) 533-7533
AST, INC.	TROUTMAN, NC	PH(800) 438-6057 OR (704) 525-3043
WATTS	SPINDALE, NC	PH(800) 336-2581
WADE	CHARLOTTE, NC	PH(704) 525-3043
B&G	MORTON GROVE, IL	PH(847) 986-3700



NOTES:  
 1. THE COLOR FOR ALL WATER CLOSETS, URINALS AND LAVATORIES SHALL BE "WHITE".  
 2. P-33 EMERGENCY EYE WASH STATION INSTALLED MOUNTED AT 36" AFF. SHOULD HAVE MIXING VALVE TO TEMPER WATER, FLOOR DRAIN NOT REQUIRED.  
 3. VTR'S SHALL BE A MINIMUM OF 10' FROM ANY FRESH AIR INTAKE, COORDINATE AS REQUIRED WITH MECHANICAL CONTRACTOR AND MECHANICAL ROOF PLAN.  
 FIXTURE NOTE:  
 FOR PLUMBING FIXTURES MARKED P-10, P-11, P-14, P-15, P-21 & P-22 THE SINK TUBS SHALL BE FABRICATED WITH 16 GAUGE STAINLESS STEEL & THE DRAIN BOARDS SHALL BE FABRICATED WITH 14 GAUGE STAINLESS STEEL. SEE THE 'FOOD LION' SINK SPECIFICATION FOR MORE INFORMATION.

4 CLEANOUT SECTION  
 P6.01 NTS

9 HUB DRAIN INSTALLATION DETAIL  
 P6.01 NTS

13 TYPICAL CONDENSATE DRAINS  
 P6.01 NTS

**INTERPLAN**  
 INTERPLAN LLC  
 ARCHITECTURE  
 ENGINEERING  
 PERMITTING  
 220 E. CENTRAL PKWY, STE 4000  
 ALTAMONTE SPRINGS, FL 32701  
 407.645.5008

ARCHITECT'S SEAL:  
 INTERPLAN, LLC  
 ORLANDO, FL  
 01060

CORPORATE SEAL:  
 STATE OF SOUTH CAROLINA  
 INTERPLAN, LLC  
 ORLANDO, FL  
 01060  
 REGISTERED ARCHITECT

ENGINEER'S SEAL:  
 STATE OF SOUTH CAROLINA  
 INTERPLAN, LLC  
 NO. C02393  
 REGISTERED PROFESSIONAL ENGINEER  
 JUL 16 8 58 AM '22

REVISIONS  
 NO DATE REMARKS

FOOD LION  
 2110 Executive Drive, Salisbury, NC 28147  
 Telephone: 704.633.5500  
 Food Lion is an HOKU DELTA company.

FOOD LION  
 REMODEL  
 STORE #2839  
 860 PARRIS ISLAND GTWY  
 BEAUFORT, SC 29906

PROJECT NO: 2021.1218  
 DATE: 7/5/22  
 35 OF 54  
**P6.01**  
 PLUMBING SCHEDULE AND  
 DETAILS  
 CHECKED: DAK DRAWN: AE

JONLOP - 07/05/2022 3:50:59 PM