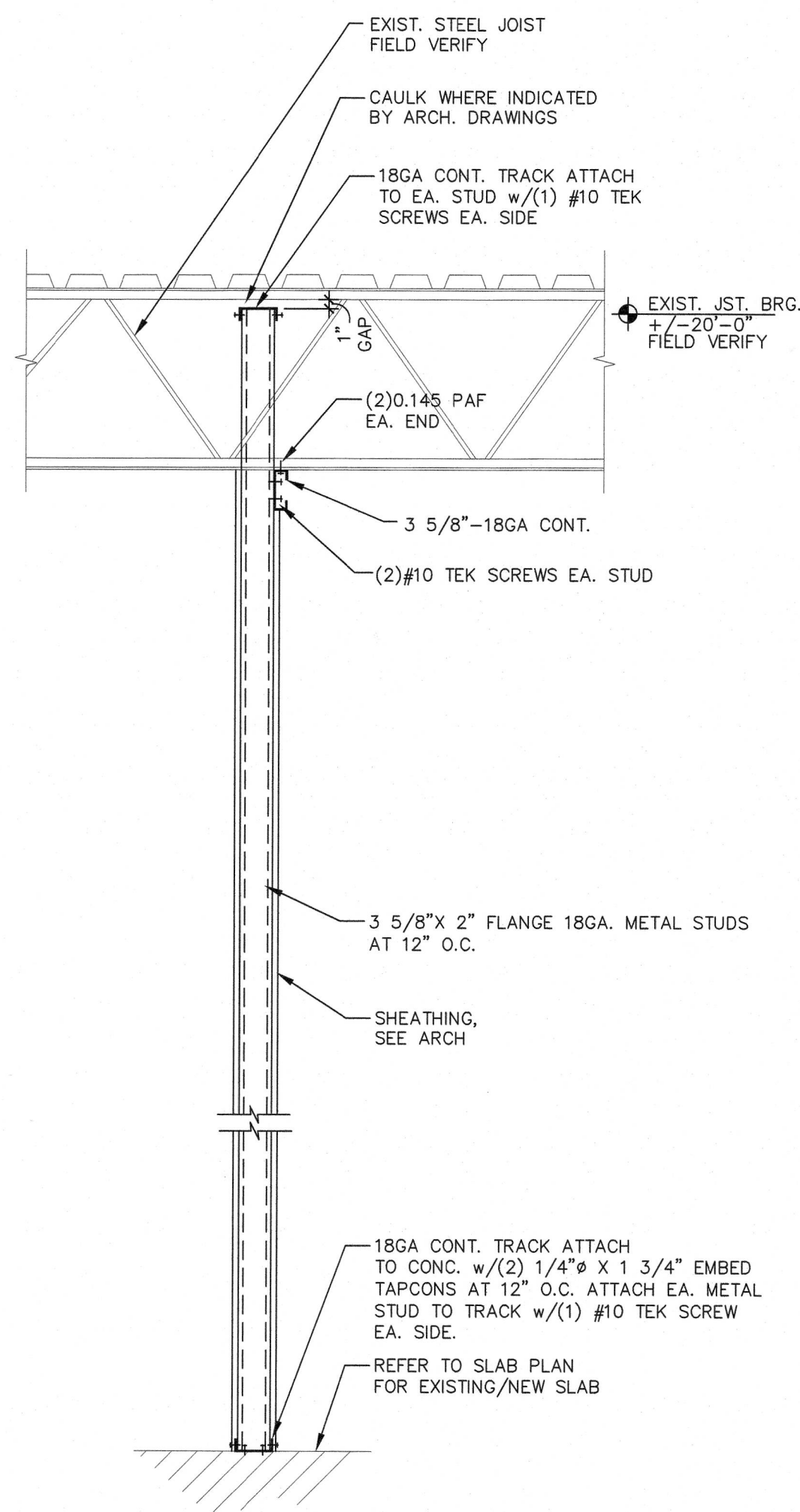
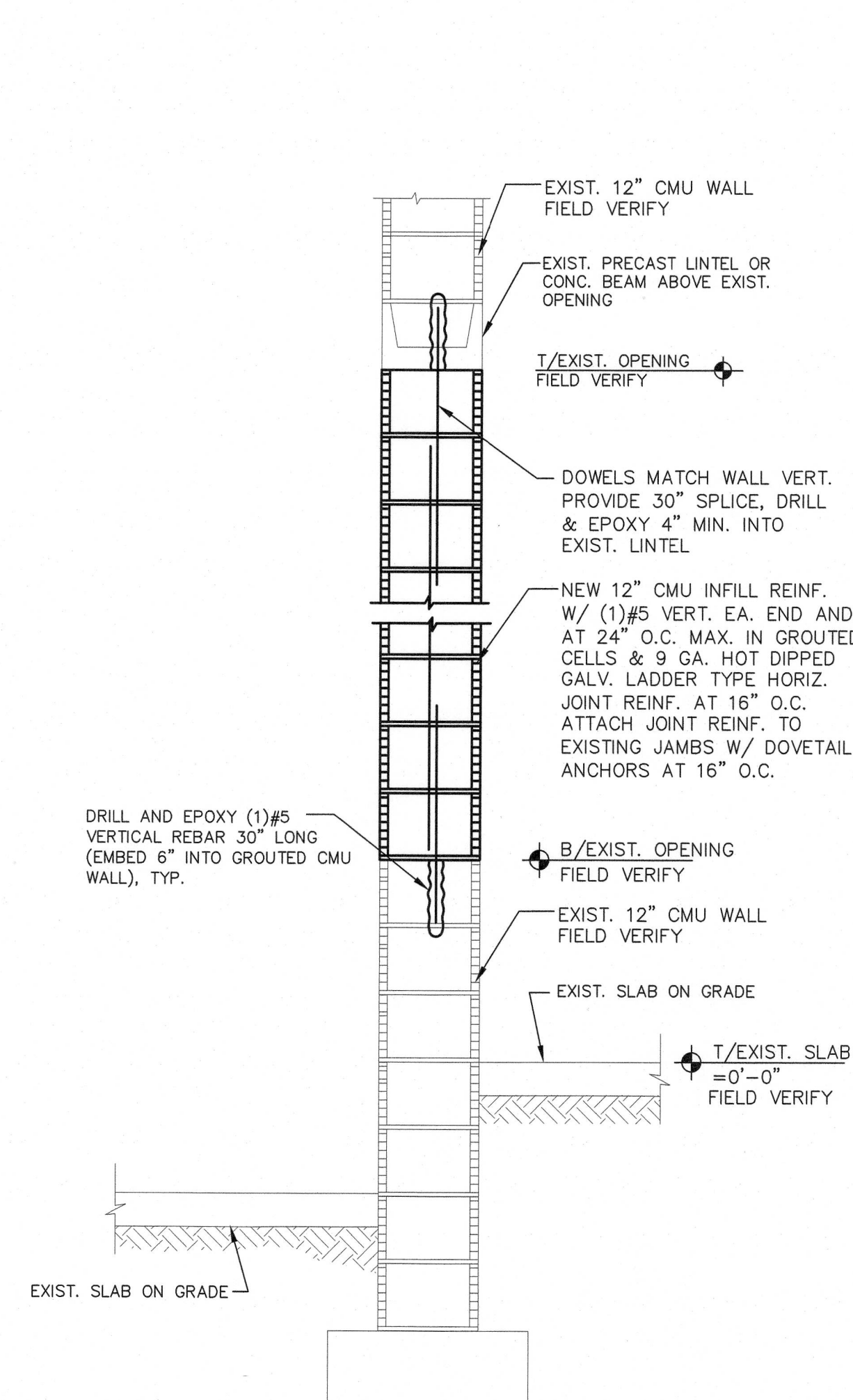


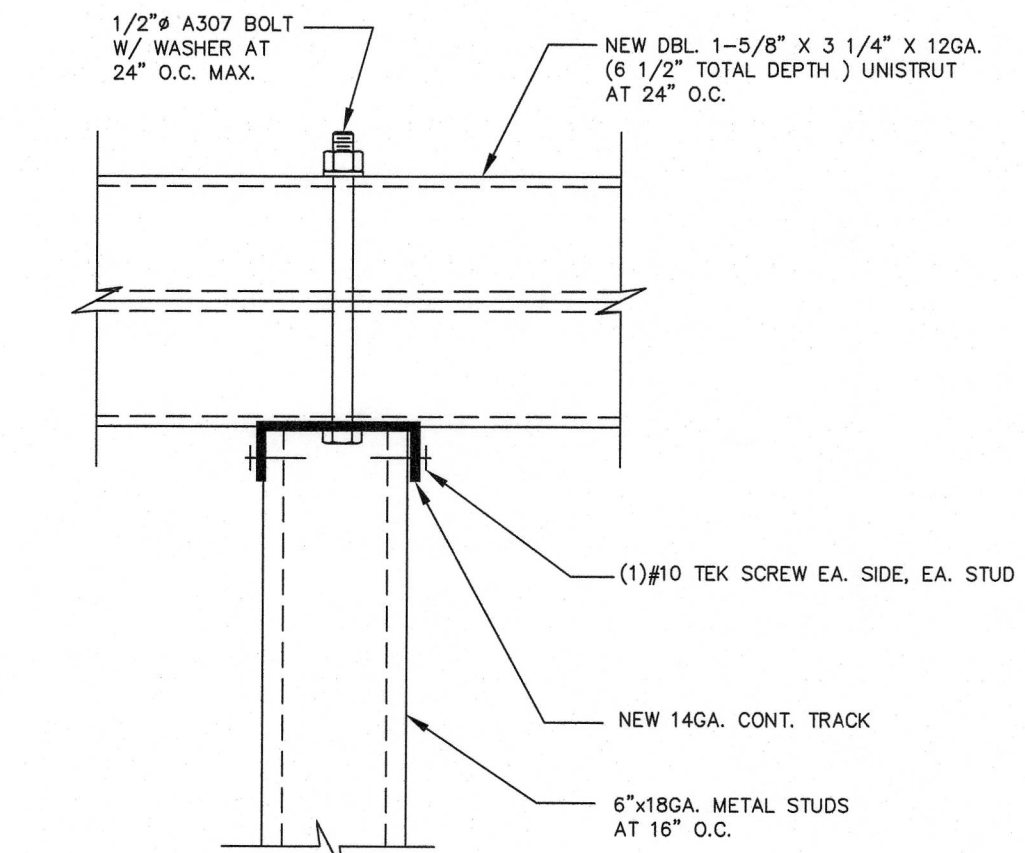
SECTION 1
3/4" = 1'-0"



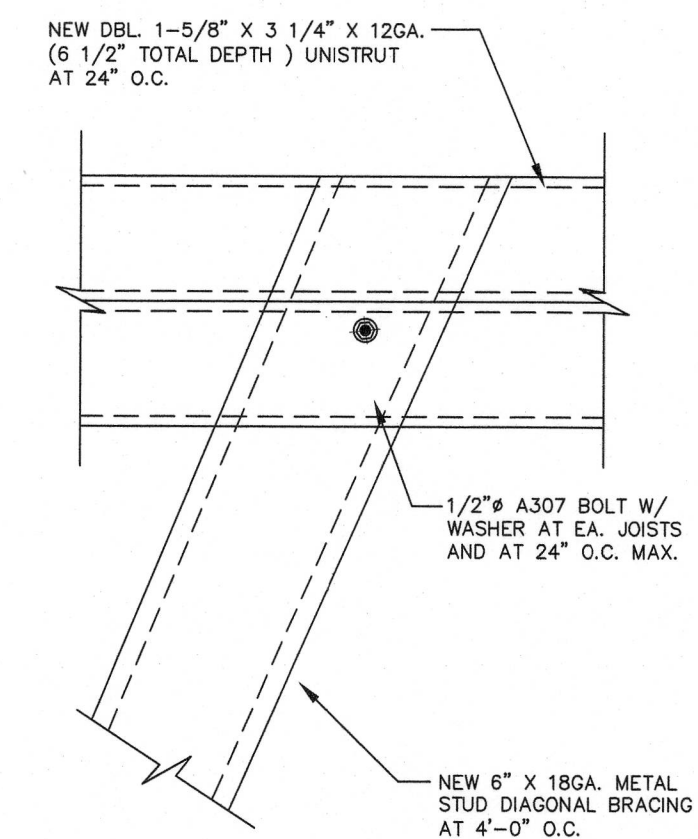
SECTION 2
3/4" = 1'-0"



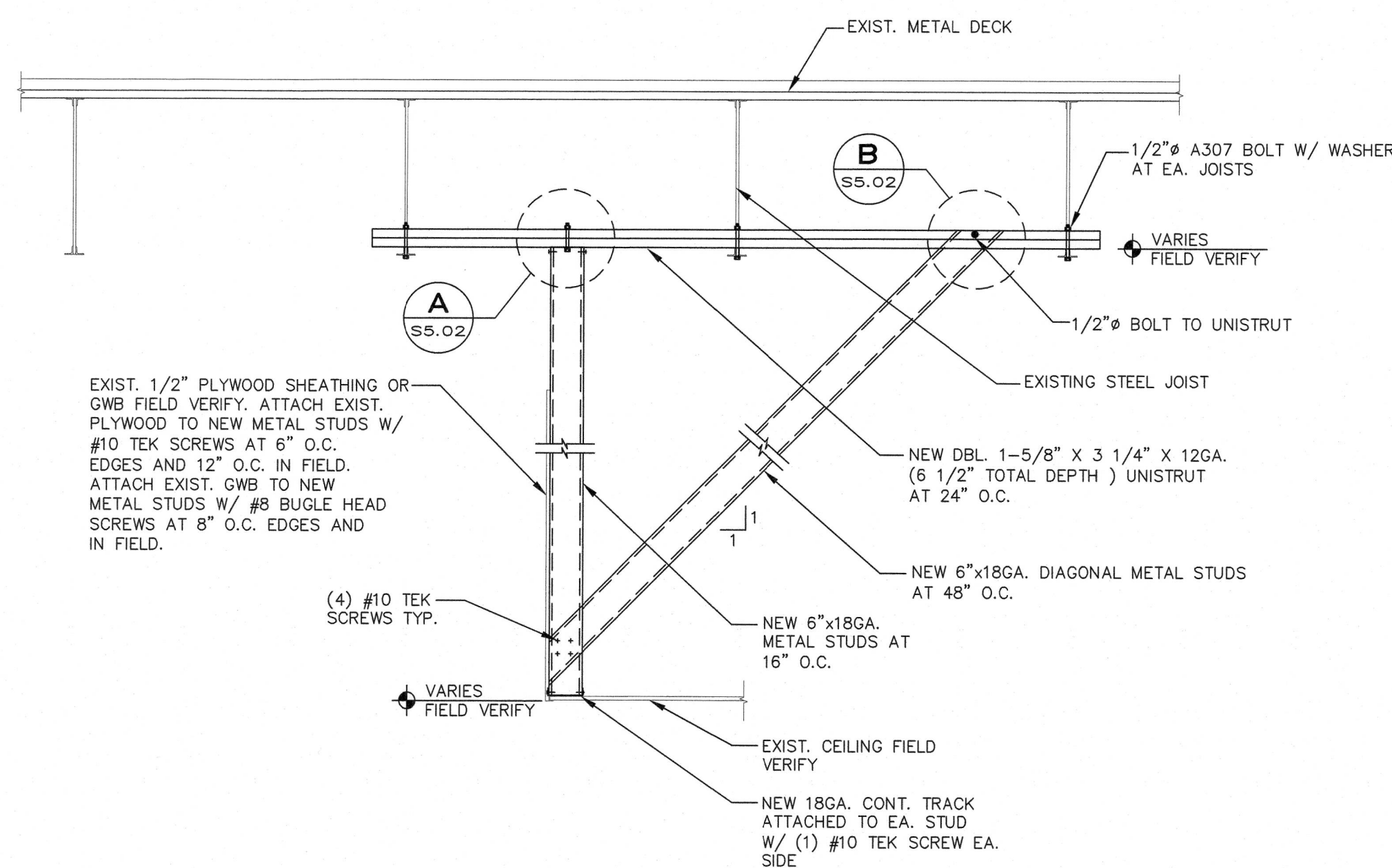
SECTION 3
3/4" = 1'-0"



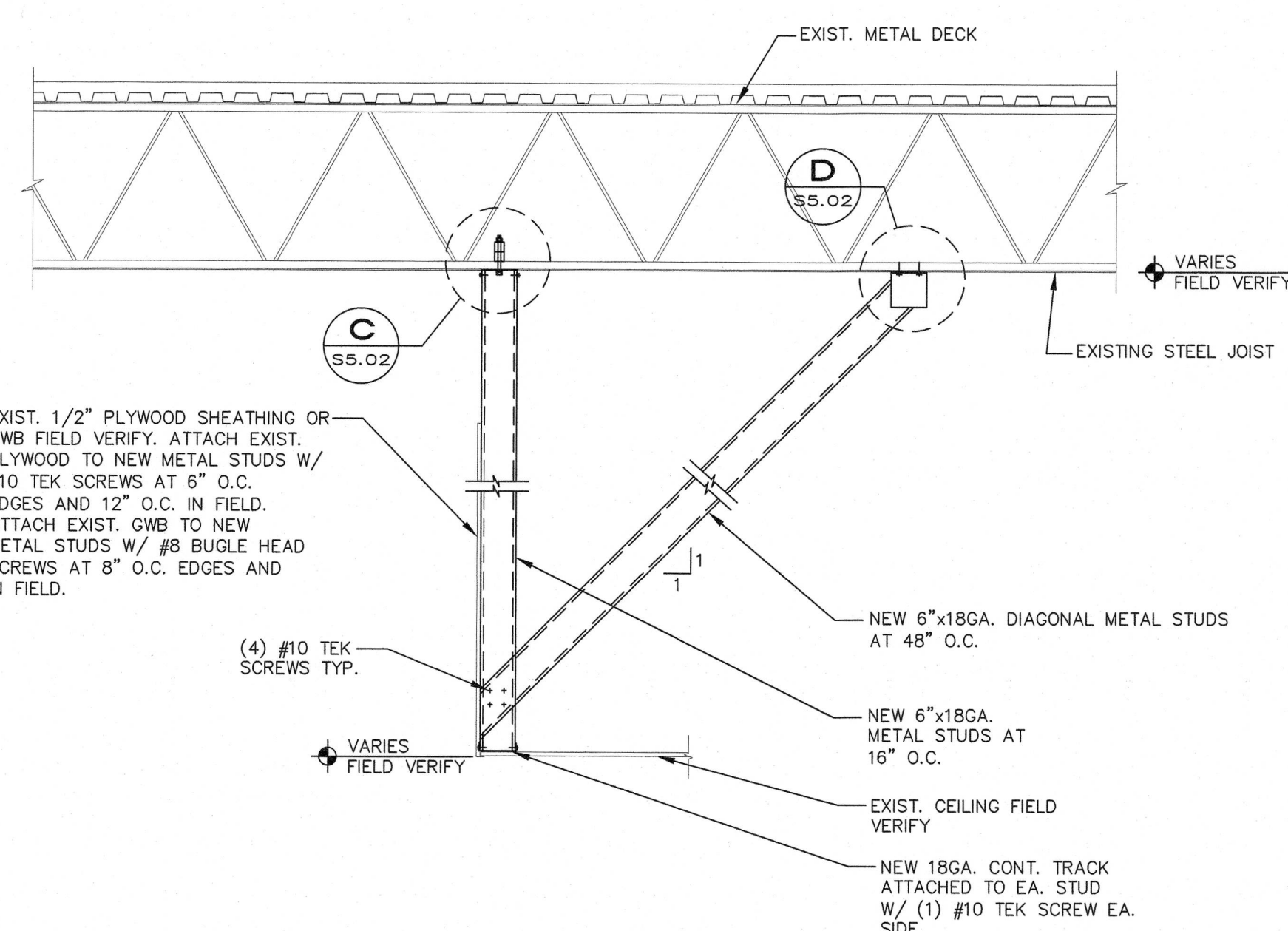
SECTION A
1 1/2" = 1'-0"



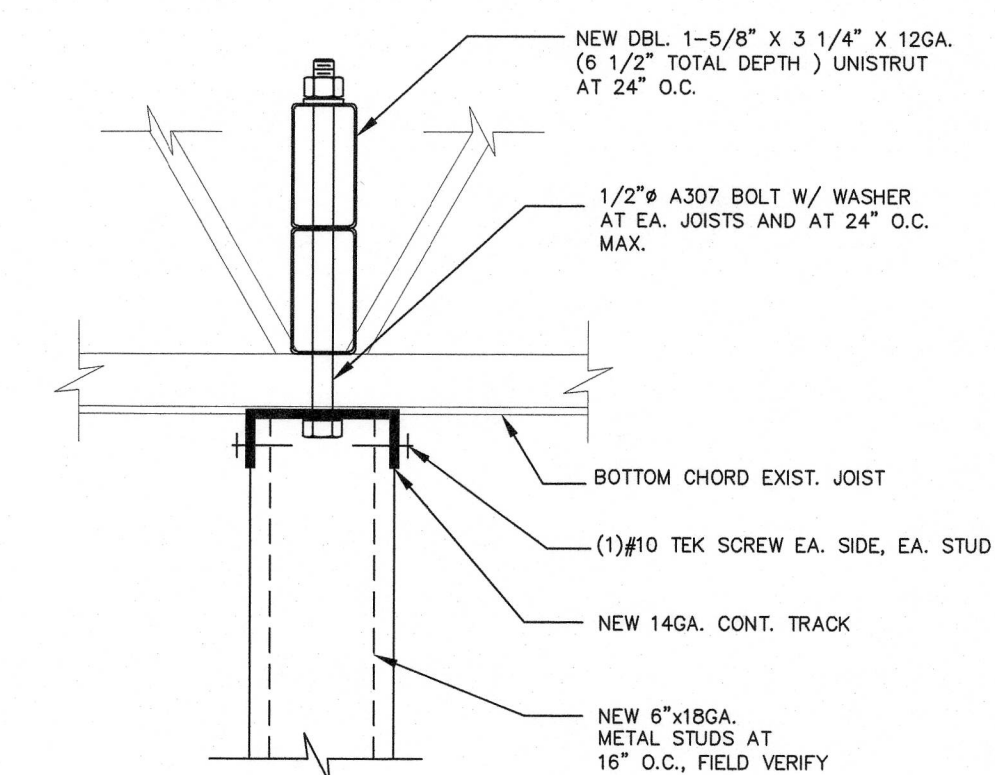
SECTION B
1 1/2" = 1'-0"



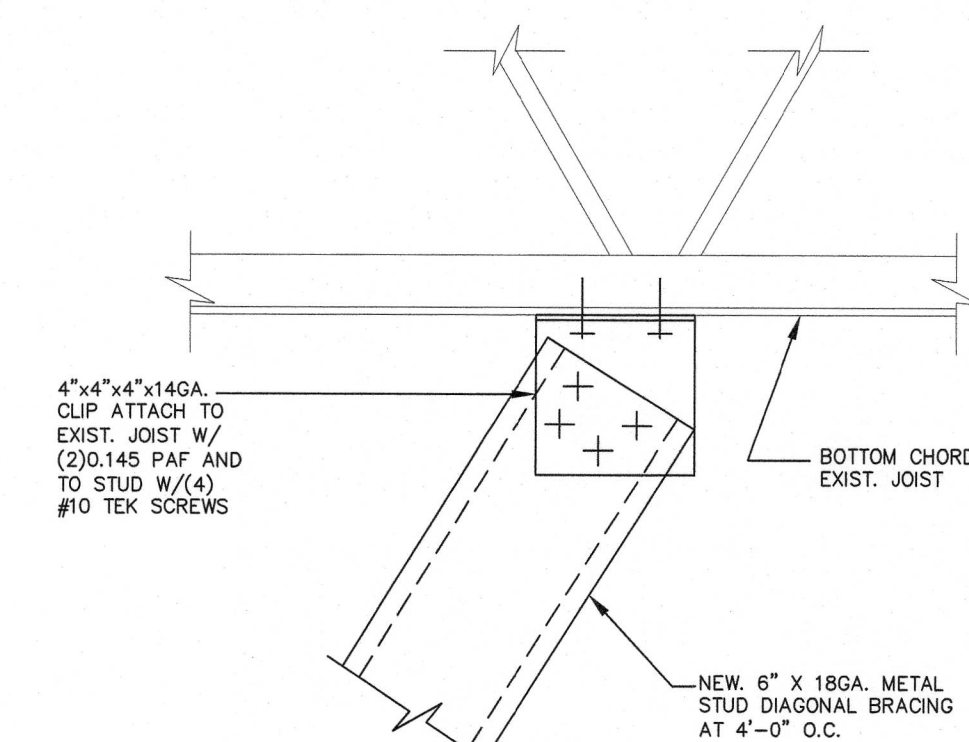
PARALLEL TO JOIST (BULKHEAD)
SECTION 4
1/2" = 1'-0"



PERPENDICULAR TO JOIST (BULKHEAD)
SECTION 5
1/2" = 1'-0"



SECTION C
1 1/2" = 1'-0"



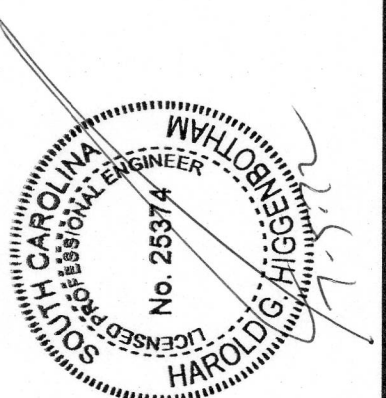
SECTION D
1 1/2" = 1'-0"

SHORING NOTE:
THE GENERAL CONTRACTOR SHALL PROVIDE SHORING FOR EXISTING BULKHEAD COMPONENTS. SHORING SHALL REMAIN IN PLACE UNTIL ALL NEW STRUCTURAL SUPPORTS AND CONNECTIONS ARE INSTALLED.



HIGGENBOTHAM
Engineering, Inc.
Structural Engineers
2222 Center Drive, Suite F
Altamonte Springs, FL 32709
Phone: 407.286.1929
Fax: 407.286.2861
SOUTH CAROLINA COA NUMBER 5229

ENGINEER'S SEAL:



HAROLD G. HIGGENBOTHAM
PROFESSIONAL ENGINEER
SC REG. NO. 25374

REVISIONS
NO. DATE REMARKS

FOOD LION
2110 Executive Drive, Salisbury, NC 28147
Telephone: 404.333.8250
Food Lion is an ANHOLD DELHAIZE company.

FOOD LION
REMODEL
STORE #2839
860 PARRIS ISLAND CTWY
BEAUFORT, SC 29906

PROJECT NO: 2021.1218
DATE: 7/5/22

28 OF 54

S5.02

STRUCTURAL DETAILS

CHECKED: HGH DRAWN: RED