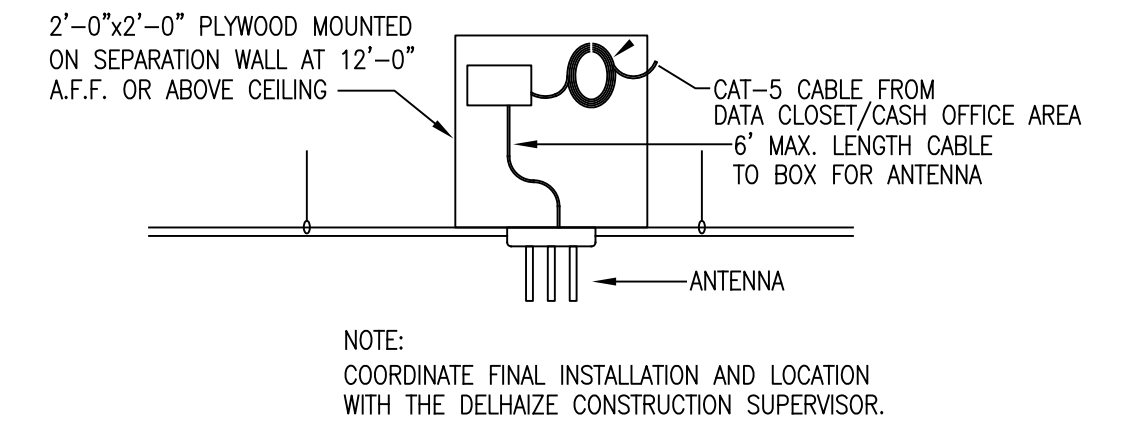
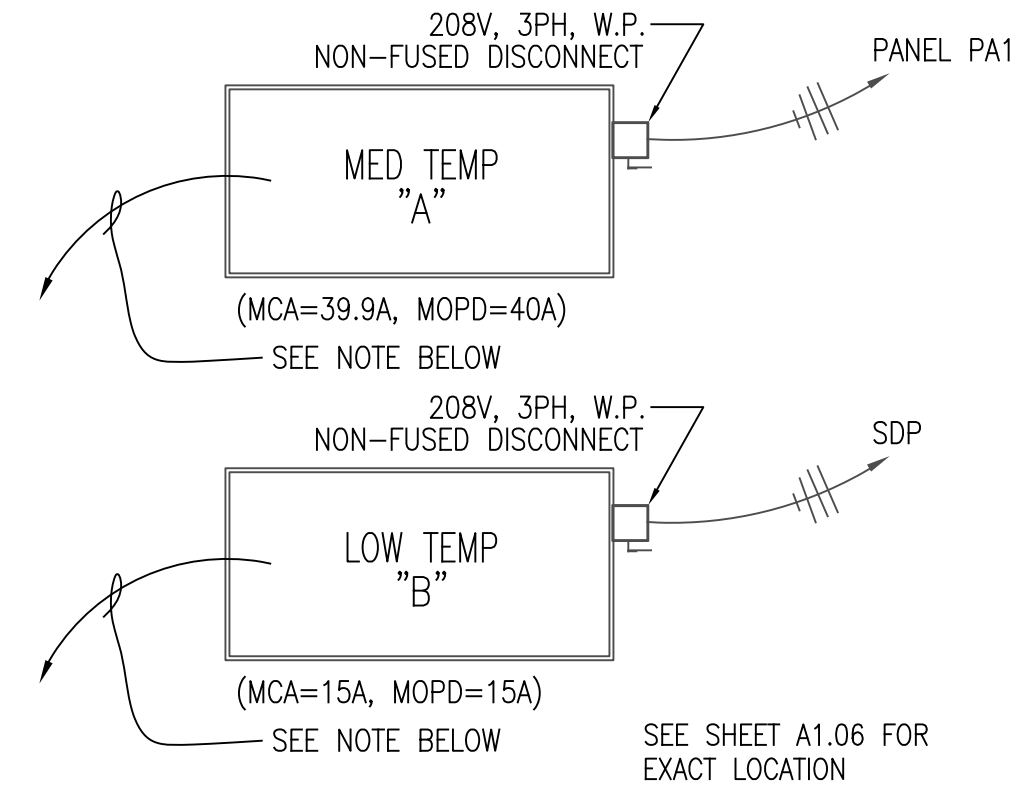
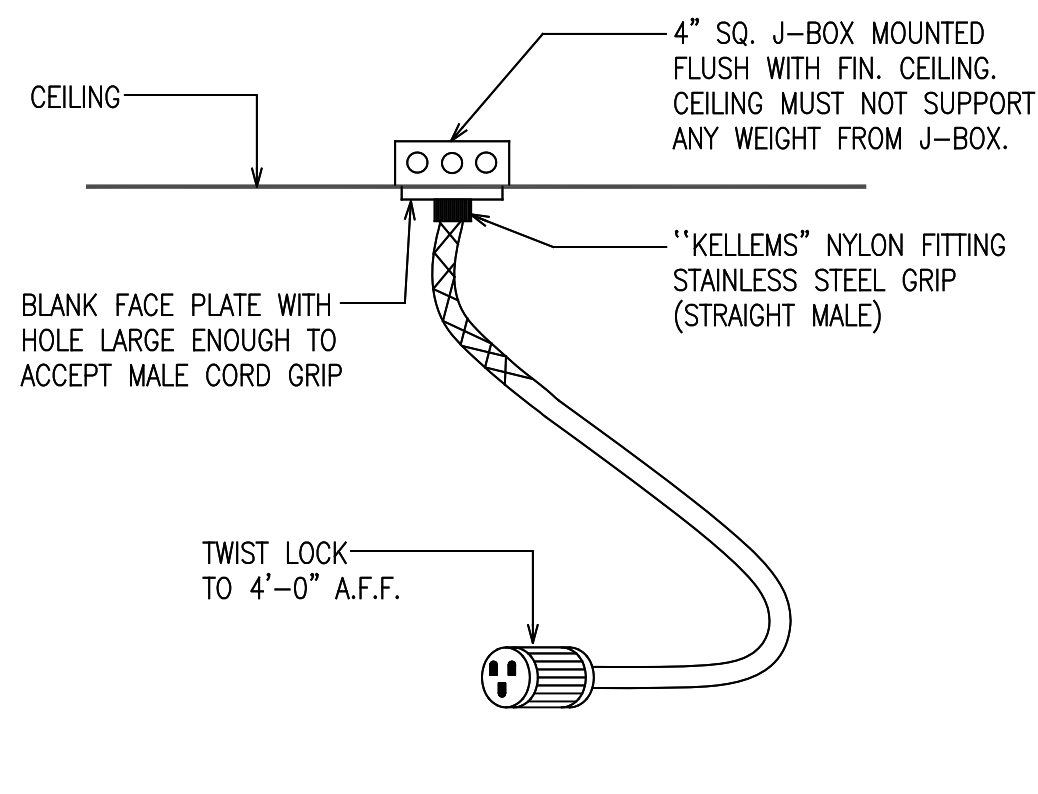
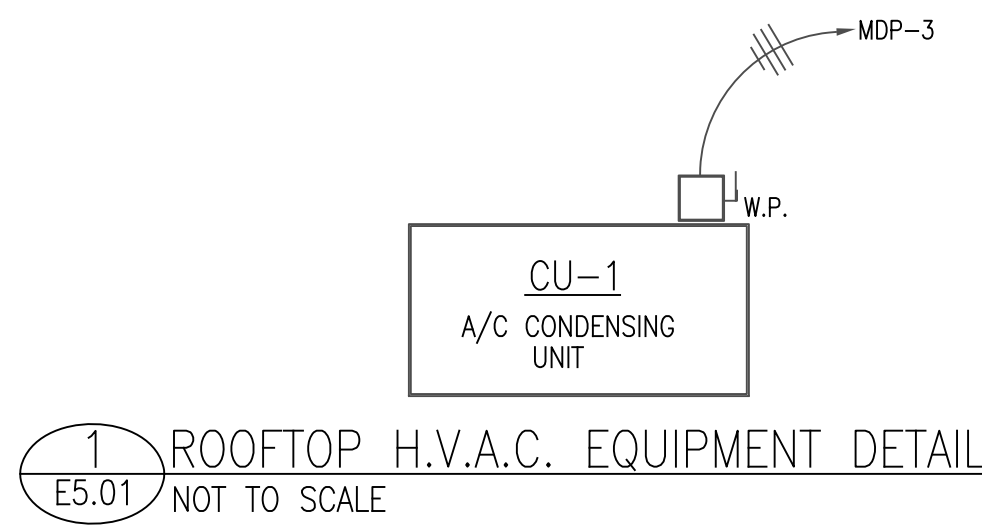


**SPECIAL NOTES:**  
 -INSTALL (REPLACE) ALL NEW FLEXIBLE CONDUIT AND FITTINGS ON FOLLOWING: RTU-1, RTU-2.  
 SEAL-TITE TYPE FLEX IS SPECIFIED, USE PROPER METAL FITTINGS

**NOTE**  
 CEILING THICKNESS MAY VARY...  
 USE BOX EXTENSIONS TO COMPENSATE FOR ANY DIFFERENCE IN CEILING

**SPECIAL NOTE:**  
 -INSTALL (REPLACE) ALL DAMAGED FLEXIBLE CONDUIT AND FITTINGS ON ROOF CONDENSERS. SEAL-TITE TYPE FLEX IS SPECIFIED, USE PROPER METAL FITTINGS

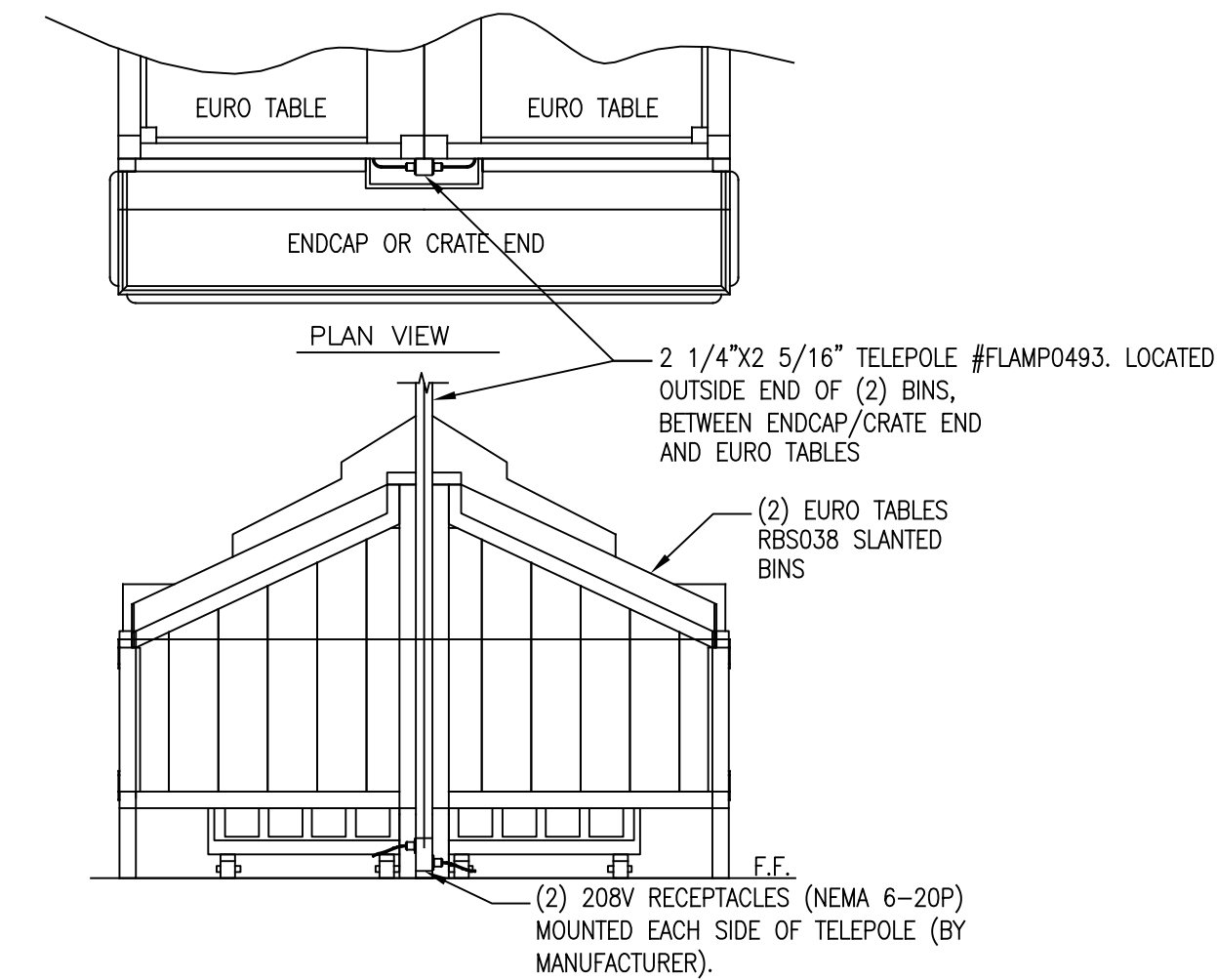
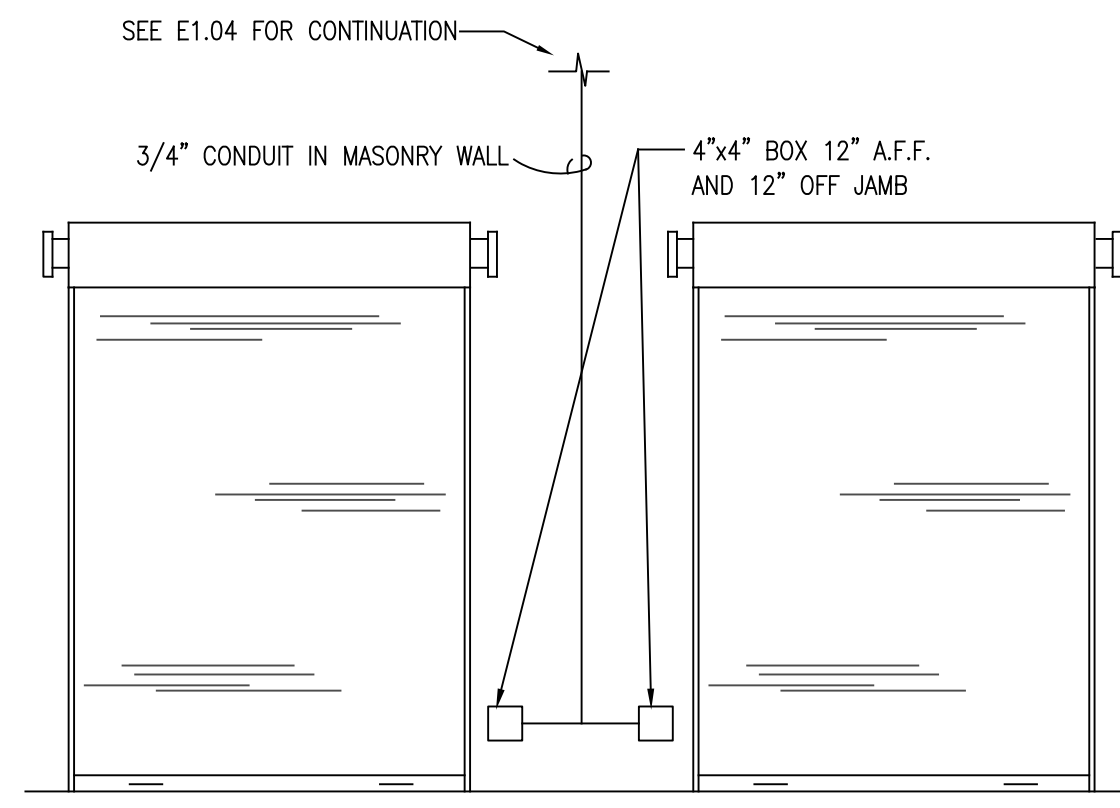
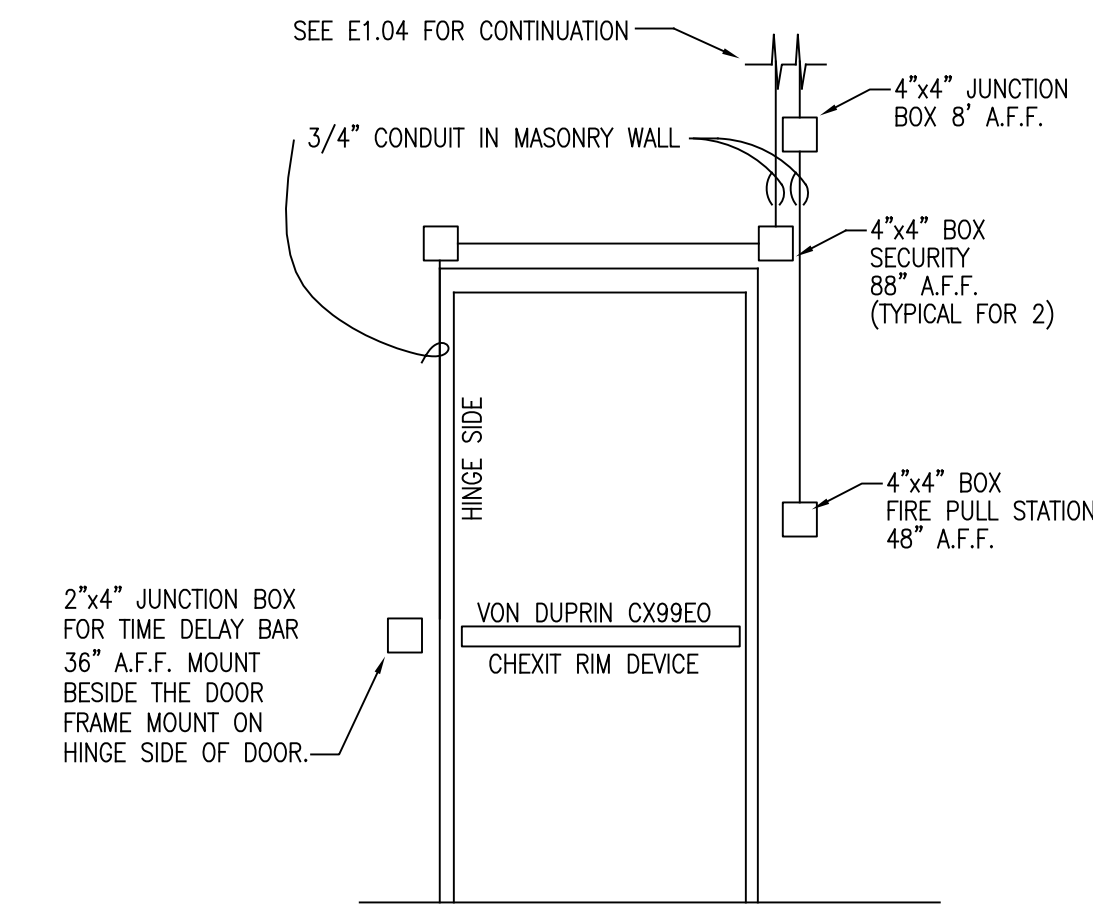


1 ROOFTOP H.V.A.C. EQUIPMENT DETAIL  
 E5.01 NOT TO SCALE

2 HANGING TWIST LOCK DETAIL  
 E5.01 NOT TO SCALE

3 ELECTRICAL DETAIL FOR CONDENSERS ON ROOF  
 E5.01 NOT TO SCALE

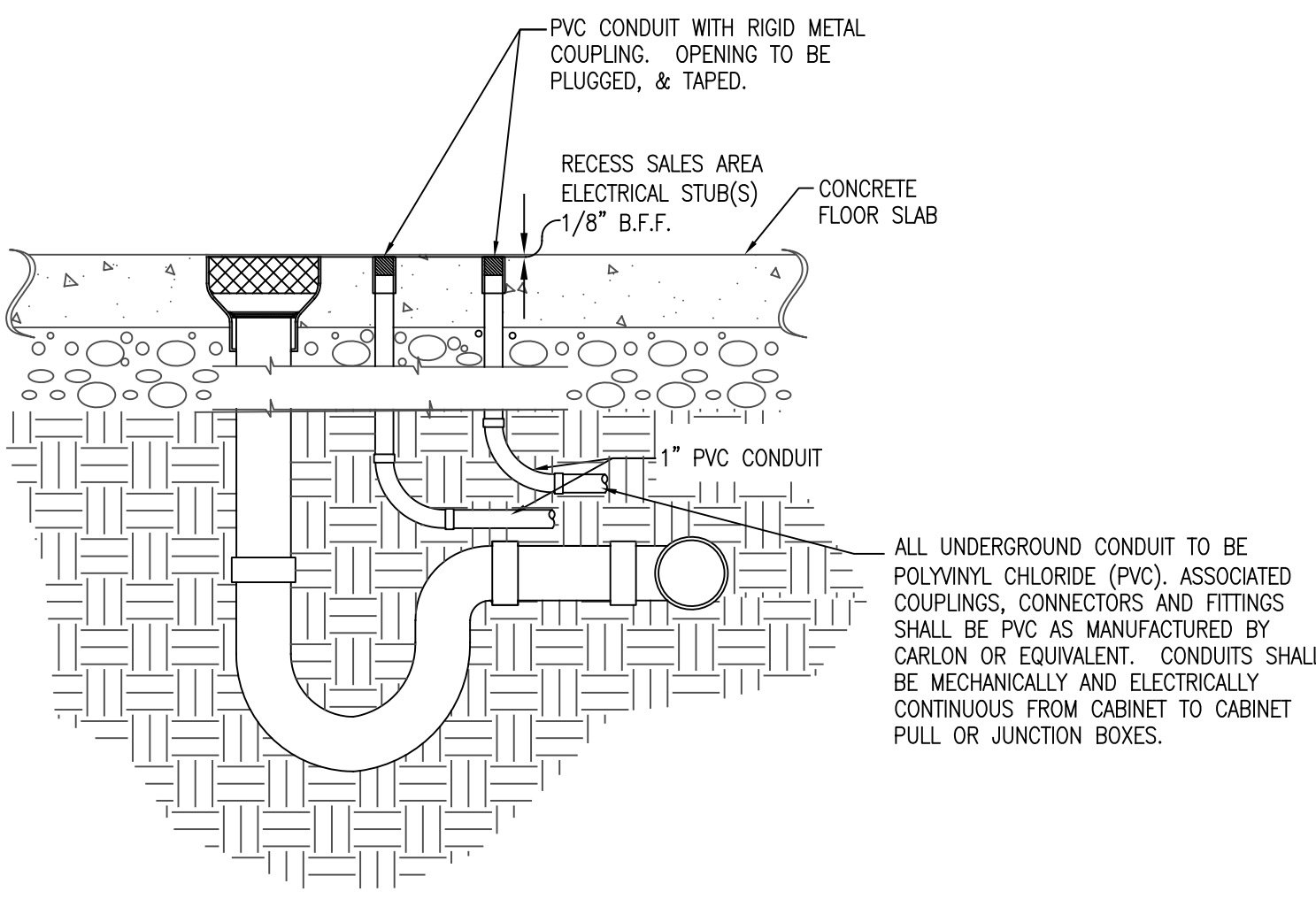
4 CAT 5 CABLE PLYWOOD BACKBOARD DETAIL  
 E5.01 NOT TO SCALE



5 SECURITY CONDUIT - DETAIL #1  
 E5.01 NOT TO SCALE

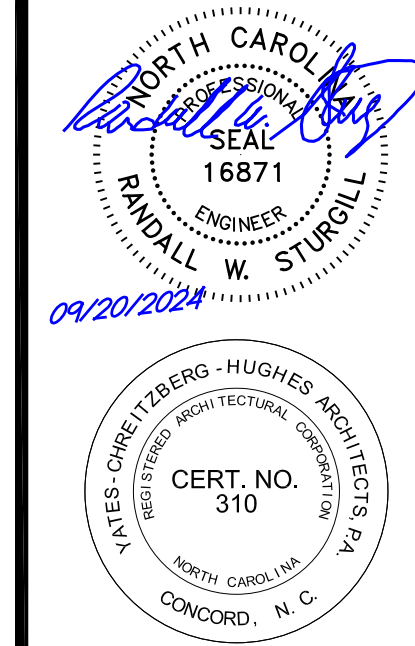
6 SECURITY CONDUIT - DETAIL #2  
 E5.01 NOT TO SCALE

7 SIDE ELEVATION DUAL PRODUCE SLANT BINS  
 E5.01 NOT TO SCALE



LEGEND			
S	SINGLE POLE SWITCH	⊗	DROP FROM CEILING
Swp	WEATHERPROOF SWITCH	⊕	NEW FLOOR STUB-UP
Sp	SINGLE POLE SWITCH WITH PILOT LIGHT	○	ELECTRICAL CONNECTION UNDER CASE
S3p	THREE-WAY SWITCH WITH PILOT LIGHT	—	FLUORESCENT FIXTURE
Sm	SINGLE POLE, MOTOR RATED SWITCH.	⊙	LIGHT FIXTURE (SEE LIGHT FIXTURE SCHEDULE, SHEET E-1)
⊕	DUPLEX RECEPTACLE	⊗	EXIT LIGHT
⊕ W.P.	WEATHERPROOF RECEPTACLE	⊕	EMERGENCY LIGHT FIXTURE
⊕4	QUADRAPLEX RECEPTACLE	⊕	FAN MOTOR (HORSEPOWER AS NOTED)
⊕	SPECIAL PURPOSE OUTLET (TYPE AS NOTED)	⊕	PUSHBUTTON
⊕	4\"/>		

9 SALES FLOOR ELECTRICAL STUBS @ CASES  
 E5.01 NOT TO SCALE



**OWNERSHIP OF INSTRUMENTS OF SERVICE:**  
 All reports, specifications, plans, computer files, field data, notes and other documents and instruments of service shall remain the property of the Design Professional. The Design Professional and all other parties shall not be held liable for any reproduction or use of the instruments of service without the written consent of the Design Professional. This instrument shall not be reproduced or copied in whole or in part. It is not to be used on any other project and is to be returned upon request. © Copyright 2024

**CONSULTANT:**  
**STURGILL ENGINEERING P.A.**  
 ONE SOUTH MAIN ST  
 LEXINGTON, NC 27292  
 (336) 238-1200 PHL  
 (336) 236-6393 FAX

**CLIENT:**  
**FOOD LION**  
 2110 Executive Drive  
 Salisbury, NC 28146  
 PHL 704.633.8200

**FOOD LION**  
**STORE NO. 2654**  
**INTERIOR ALTERATIONS**  
 610 East King Street | Kings Mountain, NC 28086

FL PROJECT NO.: 2654FLMHP24

FILE NAME: 2654 E5.01\_00.dwg

YCHA COM. #: 22423.00

PHASE & DATE:  
**Construction Documents**  
**09-20-2024**

REVISIONS:

SHEET TITLE:  
**ELECTRICAL**  
**DETAILS**

ARCHITECTURAL:  
**E5.01**