

PLUMBING FIXTURE SCHEDULE

MARK	FIXTURE	MANUFACTURER/SUPPLIER	MODEL No.	MATERIAL	SIZE	FAUCET AND DRAIN	TRAP	SUPPLIES AND STOPS	REMARKS
P-1	WATER CLOSET	AMERICAN STANDARD	#2234.015	VITROUS CHINA	ELONG. BOWL	---	---	---	SLOAN 111 REGAL FLUSH VALVE
P-1A	TANK TYPE WATER CLOSET	AMERICAN STANDARD	#211CA.004	VITROUS CHINA	ELONG. BOWL	PROVIDE WITH WITH OPEN FRONT SEAT	---	---	ANGLE STOPS
P-1A	WATER CLOSET (HC)	AMERICAN STANDARD	#3043.102	VITROUS CHINA	ELONG. BOWL	---	---	---	SLOAN 111 REGAL FLUSH VALVE FLUSH VALVE ON OPEN SIDE OF STALL
P-1A	TANK TYPE WATER CLOSET (HC)	AMERICAN STANDARD	#211AA.104 LH TRIP #211AA.105 RH TRIP	VITROUS CHINA	ELONG. BOWL	PROVIDE WITH WITH OPEN FRONT SEAT	---	---	ANGLE STOPS TRIP LEVER ON OPEN SIDE OF STALL
P-2	URINAL	AMERICAN STANDARD	#6590.001 0.5 GPF	VITROUS CHINA	18"x20"	---	---	---	SLOAN 186-0.5 REGAL XL FLUSH VALVE
P-3	LAVATORY	AMERICAN STANDARD	#0124.024	VITROUS CHINA	20"x18"	#7385.050 WITH #2411.015.002 GRID DRAIN	17 GA.	---	ANGLE STOPS
P-3A	LAVATORY (HC)	AMERICAN STANDARD	#0124.024	VITROUS CHINA	20"x18"	#7385.050 WITH #2411.015.002 GRID DRAIN 7725.018 OFFSET	17 GA.	---	ANGLE STOPS TRUEBRO 102-EZ LAVIARD
P-4	TWO LEVEL ELECTRIC WATER COOLER	GRANGER ELKAY	EZSLBC	STAIN. STEEL RECEPTOR	38"x19"	---	8.0 GPH	---	WHEEL HAND STOP MOUNT ONE UNIT AT HANDICAP HEIGHT
P-4A	SINGLE WATER COOLER	GRANGER ELKAY	EZSB	STAIN. STEEL RECEPTOR	19"x19"	---	8.0 GPH	---	WHEEL HAND STOP MOUNT AT HANDICAP HEIGHT
P-5	MIXING FAUCET	AMERICAN STANDARD	#8350.243	CAST BRASS	---	---	---	---	VACUUM BREAKER LEVER HANDLES
P-6	WALL HYDRANT	ZURN	Z-1310	BRONZE	---	---	---	---	VACUUM BREAKER KEY CONTROL FREEZEPROOF
P-6A	CAN WASH FAUCET	T & S	#B-0665-BSTR	CHROME PLATED	---	---	---	---	VACUUM BREAKER INTEGRAL STOPS & WALL BRACKET WITH CHECK VALVES HW & CW, FREEZEPROOF
P-8	FLOOR DRAIN	ZURN	ZB-415	CAST BRONZE STRAINER	4"	---	---	---	DEEP SEAL TRAP BACKWATER VALVE
P-8A	TRENCH DRAIN	ABT, INC.	POLYDRAN CHANNEL #100	---	---	---	---	---	DEEP SEAL TRAP No. 2502 DUCTILE IRON GRATE w/825-44 VERTICAL OUTLET & CLOSED END PLATES
P-8B	TRENCH DRAIN	ABT, INC.	POLYDRAN CHANNEL #90	---	---	---	---	---	DEEP SEAL TRAP No. 2502 DUCTILE IRON GRATE w/825-44 VERTICAL OUTLET & CLOSED END PLATES
P-9	FLOOR CLEAN-OUT	SIDUX CHIEF	834-4PWR	PVC WITH NICKEL/BRONZE TOP	4"	---	---	---	WITH BODY FLANGE REFER TO DETAIL ON SHEET P6.01
P-9A	TWO WAY CLEAN-OUT IN CONCRETE	SIDUX CHIEF	834-4PWR	PVC WITH NICKEL/BRONZE TOP	4"	---	---	---	WITH BODY FLANGE USE IN CONCRETE REFER TO DETAIL ON SHEET P6.01
P-9B	TWO WAY CLEAN-OUT	JOSAM	58900 SERIES	COATED CAST IRON w/ BRONZE PLUG	4"	---	---	---	EXTERIOR WHEN IN ASPHALT, SEE DETAIL ON SHEET P6.01 WITH 50MM 6" HECUBIS OR EQUIVALENT, MUST MEET HD LOAD RATING AND IS CAST IRON
P-10	MEAT PREP SINK	JOHN BOOS	3PB244-2D24-FL	TYPE 300 STAINLESS STEEL	30"x124"	(3) B-3952 LEVER WASTE DRAIN (1) T&S B 1128 FAUCET 8" CC, 12" SPOUT	---	---	VACUUM BREAKER AND ANGLE STOPS (3) 699051253 STANDOFF BRACKETS
P-11	PRODUCE PREP SINK	JOHN BOOS	3PB244-2D24-FL-1	TYPE 300 STAINLESS STEEL	30"x124"	(3) B-3952 LEVER WASTE DRAIN (1) T&S B 1128 FAUCET 8" CC, 12" SPOUT (1) T&S B 0156 ADD-A-FAUCET (1) T&S B 2278 PRE-RINSE w/YB	---	---	VACUUM BREAKER AND ANGLE STOPS (3) 699051253 STANDOFF BRACKETS
P-12	WATER HEATER	GRANGER RHEEM-RUDD (ELEC.)	ES85-54-G	---	85 GAL	---	---	---	SURFACE MOUNT THERMOSTAT ELECTRIC WATER HEATER 54 KW 208 V. 3 PH
P-12A	WATER HEATER	GRANGER RHEEM-RUDD (ALTERNATE GAS)	HE80-189	---	80 GAL	---	---	---	SURFACE MOUNT THERMOSTAT 120V CONTROL CKT SEALED COMBUSTION GAS FIRE 199 MBH INPUT
P-13	WATER HEATER (PREHEATER)	GRANGER THERMA-STOR (REDLAMB)	TS III - 1	---	120 GAL	---	---	---	6000 WATT ELEMENT WITH STAND
P-14	SEAFOOD & MEAT PREP HAND SINK	JOHN BOOS	PBHS-W-1620KVFL	TYPE 300 STAINLESS STEEL	25"x22"	005439 BASKET DRAIN, T&S B 0509 KNEE VALVE T&S B 0525 SM BASE	---	---	VACUUM BREAKER AND WALL BRACKET
P-15	DELI-BAKERY SINK	JOHN BOOS	3PB24304-2D24FL	TYPE 300 STAINLESS STEEL	28"x123"	(3) TSLW B-3952 LEVER WASTE DRAIN (2) T&S B 1128 FAUCET (1) T&S B 2278 PRE-RINSE w/YB	---	---	VACUUM BREAKER AND WALL BRACKET
P-15B	DELI-BAKERY SINK WITH PRO BOWL	JOHN BOOS	DT3B18244-2D24L W/ JOTC-20-26R PRO BOWL	TYPE 300 STAINLESS STEEL	30"x103"	(3) TSLW B-3952 LEVER WASTE DRAIN (2) T&S B 1128 FAUCET (1) T&S B 2278 PRE-RINSE w/YB	---	---	VACUUM BREAKER AND WALL BRACKET
P-15L	DELI-BAKERY SINK WITH PRO BOWL	JOHN BOOS	DT3B18244-2D24L W/ JOTC-20-26R PRO BOWL	TYPE 300 STAINLESS STEEL	30"x103"	(3) TSLW B-3952 LEVER WASTE DRAIN (2) T&S B 1128 FAUCET (1) T&S B 2278 PRE-RINSE w/YB	---	---	VACUUM BREAKER AND WALL BRACKET
P-16	GREASE TRAP	---	---	---	MINIMUM 1,500 GALLONS	---	---	---	EXTERIOR RECESSED HEAVY TRAFFIC RATED
P-17	FLOOR DRAIN	ZURN	Z-560	CAST IRON	4"	---	---	---	DEEP SEAL TRAP
P-18	FLOOR DRAIN	ZURN	ZB-610-H W/21000	CAST BRONZE GRATE	12"x12"	---	---	---	DEEP SEAL TRAP HINGED GRATE WITH SEDIMENT BUCKET
P-19	FLOOR DRAIN	ZURN	ZB-508-HP W/21000	CAST BRONZE GRATE	9"	---	---	---	DEEP SEAL TRAP HEEL PROOF SECURED GRATE
P-20	WALL CLEANOUT	JOSAM	58890	BRONZE PLUG STAINLESS WALL PLATE	---	---	---	---	VACUUM BREAKER AND WALL BRACKET
P-21	PRODUCE PREP HAND SINK	JOHN BOOS	PBHS-W-1620-FL	TYPE 300 STAINLESS STEEL	25"x22"	005439 BASKET DRAIN, T&S B 1146 FAUCET OPTIONAL 4" WRIST ACTION	---	---	WALL BRACKET
P-22	WATER HAMMER ARRESTER	JR SMITH	SERIES 5000	---	---	---	---	---	---
P-23	FLOOR SINK	PLASTIC ODITIES	PF5 300 1	---	14"x14"	---	---	---	SECONDARY STRAINER
P-24	MOP BASIN	REDICO	5596-363606-8020	RUBER GASKET FIBERGLASS	36"x36"	3" GRID DRAIN AND RUBBER GASKET	---	---	DEEP SEAL TRAP VACUUM BREAKER W/ 24" WALL GUARDS SEE SUPPLIER INFO
P-24A	MOP BASIN	FIAT	TSB-500 SERIES	RUBER GASKET TERRAZZO	36"x36"	3" GRID DRAIN, RUBBER GASKET 830-AA SERVICE FAUCET	---	---	DEEP SEAL TRAP VACUUM BREAKER 10" DEEP W/ 24" WALL GUARDS SEE SUPPLIER INFO
P-25	WATER HEATER	RHEEM-RUDD	EGSP-10	---	10 GAL	---	---	---	(1) 3000 WATT ELEMENT, 120V, 1PH
P-26	1 COMPARTMENT 0/B CHICKEN SINK AND SEAFOOD SINK	JOHN BOOS	1PB184-1018L-FL	TYPE 300 STAINLESS STEEL	24"x41"	B-3952 LEVER WASTE DRAIN, T&S B 1128 FAUCET	---	---	VACUUM BREAKER AND WALL BRACKET 18" SPLASHGUARD
P-27	2 COMPARTMENT VEGETABLE SINK	JOHN BOOS	2PB244-1024R-PR-FL	TYPE 300 STAINLESS STEEL	30"x77"	(2) TSLW B-3952 LEVER WASTE DRAIN (1) T&S B0131-CR-B PRE-RINSE (1) T&S B 0156-CR FAUCET	---	---	VACUUM BREAKER AND WALL BRACKET 24" SPLASHGUARD (REPLACE FAUCETS AS SCHEDULED ON EXISTING PREP SINK)
P-28	DELI/BAKERY HAND SINK	JOHN BOOS	PBHS-W-1620KVFL	TYPE 300 STAINLESS STEEL	25"x22"	005439 BASKET DRAIN, T&S B 0509 KNEE VALVE T&S B 0525 SM BASE	---	---	VACUUM BREAKER AND WALL BRACKET
P-29	ROOF DRAIN	ZURN	Z-100	CAST IRON	4"	---	---	---	DEEP SEAL TRAP CAST IRON DOME
P-30	HOSE BIBB	WOODWARD	MODEL 24	POLISHED CHROME	---	---	---	---	CHROME VACUUM BREAKER CHROME STANDARD LOOSE KEY
P-31	LOUNGE SINK AND COUNTER	JOHN BOOS	BRC-5024-HWR-FL	16 GAUGE STAINLESS STEEL	50"x24"	005439 BASKET DRAIN, T&S B 0325 FAUCET	---	---	VACUUM BREAKER AND WALL BRACKET
P-32	EXPANSION TANK	B&G	PTA-12	---	6.4 GAL	---	---	---	---
P-32A	EXPANSION TANK	B&G	PTA-5	---	2.0 GAL	---	---	---	---
P-32B	EXPANSION TANK	B&G	PTA-20V	---	8.0 GAL	---	---	---	---
P-33	EMER EYEWASH UNIT WITH BRACKET	BRADLEY	S19-220 WITH THERMOSTATIC MIXING VALVE S19-2000	---	---	---	---	---	SEE DETAIL ON SHEET P6.01
P-33A	DECK MOUNTED EYEWASH	GUARDIAN	G1805-TM	---	---	---	---	---	PROVIDE THERMOSTATIC MIXING VALVE
P-34	TRAP PRIMER	PRECISION PLUMBING	MPB-500	---	---	---	---	---	MOUNTED A MINIMUM 12" AFF ENSURE PRIMER IS MOUNTED IN AN AREA ACCESSIBLE FOR SERVICE
P-35	RECESSED WALL HYDRANT	WOODWARD	B65	BRASS	3/4"	---	---	---	LOOSE KEY FREEZEPROOF, LOCKING COVER

ACCEPTABLE ALTERNATE MANUFACTURERS:

- P-1 TOTO CT705EN KOHLER K-4350
- P-1A TOTO CT705EM KOHLER K-4358
- P-2 TOTO UT47E (0.5 GPF) KOHLER K-4940-ET (0.5 GPF)
- P-3 TOTO L1374 KOHLER K-2054
- P-4 HALSEY TAYLOR WM-16W
- P-5 KOHLER K-8906
- P-6 SMITH 5609-OT WOODFORD MODEL 60 WADE W-8620-L JOSAM 71050-50 WATTS HY420-6
- P-6A SMITH 5560 WADE W-8606-HC JOSAM 71650-52-80 WATTS HY420-6
- P-7 AMERICAN STANDARD 8344-111
- P-8 SMITH 2005-DV-PB WADE W-1104-157-31-2 JOSAM 3004-7E-4 WATTS FD-100-A7-8
- P-8A J.R. SMITH 09930 - SYSTEM P-8B J.R. SMITH 09930 - SYSTEM
- P-17 JOSAM 39964 w/67104A WATTS FD-460-F-9 WADE W-1640
- P-18 SMITH 2415-B-PB WADE W-2310-1-14 W/2450 JOSAM 37810-20-14-Z w/67104A WATTS FD-460-F-5-9
- P-19 JOSAM 32300-1.88100 SMITH 2120 WATTS FD-320-Y-6 WADE W-1310-1-W/ W-2450
- P-20 WATTS CO-590-RD WADE W-8590/ W-8480R
- P-23 SIOUX CHEF 861.3PX
- P-29 WATTS RD-300K

PLUMBING SCHEDULE NOTES:

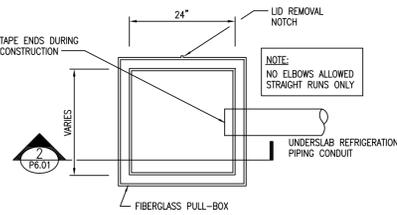
- THE COLOR FOR ALL WATER CLOSETS, URINALS AND LAVATORIES SHALL BE "WHITE".
- P-33 EMERGENCY EYE WASH STATION AND S19-2000 MIXING VALVE PROVIDED BY FOOD LION AND INSTALLED BY PLUMBING CONTRACTOR AT 36" AFF. FLOOR DRAIN NOT REQUIRED.
- VIT'S SHALL BE A MINIMUM OF 10' FROM ANY FRESH AIR INTAKE, COORDINATE AS REQUIRED WITH MECHANICAL CONTRACTOR AND MECHANICAL ROOF PLAN.

LOCATION & PHONE FOR FIXTURE SUPPLIERS:

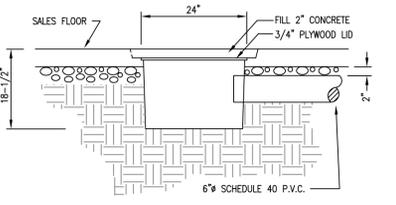
- PLASTIC ODITIES SHELBY, NC PH:(800) 438-5327
- JOHN BOOS ROSWELL, GA PH:(800) 327-1817
- GRANGER CHARLOTTE, NC PH:(704) 904-8151
- JOSAM RICHMOND, VA PH:(800) 446-2728
- THERMA-STOR DEC INTERNATIONAL PH:(800) 533-7533
- ABT, INC. TROUTMAN, NC PH:(800) 438-6057 OR (704) 525-3043
- WATTS SPINDALE, NC PH:(800) 338-2581
- WADE CHARLOTTE, NC PH:(704) 525-3043
- BAG MORTON GROVE, IL PH:(847) 966-3700

FIXTURE NOTE:

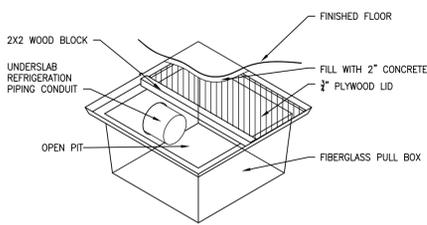
FOR PLUMBING FIXTURES MARKED P-10, P-11, P-14, P-15, P-21 & P-22 THE SINK TUBS SHALL BE FABRICATED WITH 16 GAUGE STAINLESS STEEL & THE DRAIN BOARDS SHALL BE FABRICATED WITH 14 GAUGE STAINLESS STEEL. SEE THE "FOOD LION" SINK SPECIFICATION FOR MORE INFORMATION.



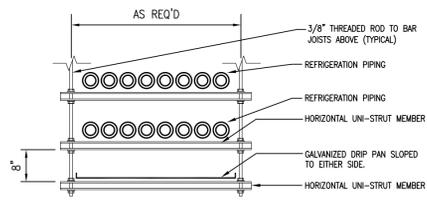
1 ACCESS PIT PLAN VIEW NOT TO SCALE



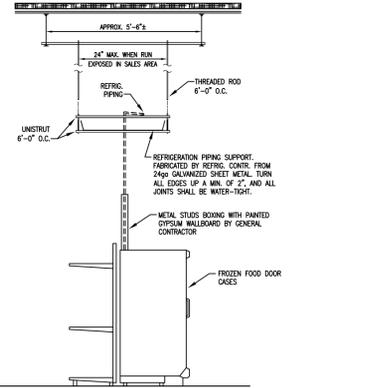
2 SECTION THRU PIT NOT TO SCALE



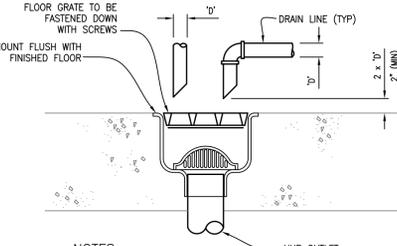
3 PIT ISOMETRIC NOT TO SCALE



5 OVERHEAD REFRIGERATION DRIP PAN DETAIL NOT TO SCALE

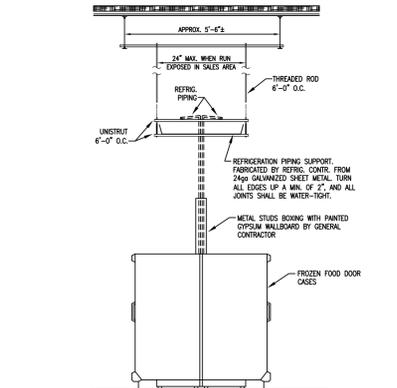


6 OVERHEAD REFRIGERATION PIPING DETAIL NOT TO SCALE

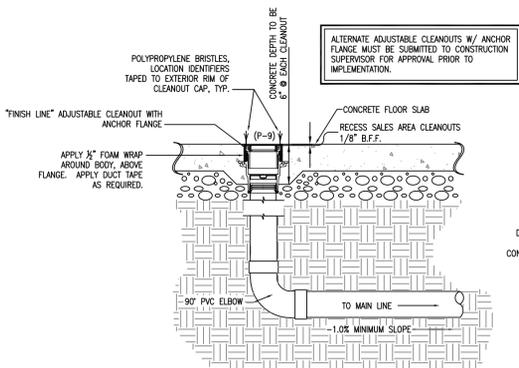


8 FLOOR SINK DETAIL NOT TO SCALE

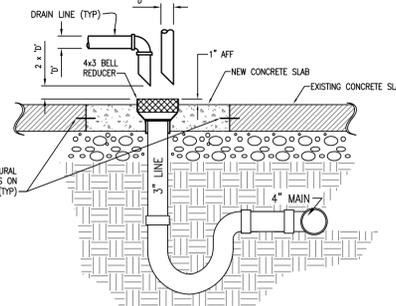
NOTES:  
A. FLOOR SINK COVER TO BE FLUSH WITH TILE OR FLUSH WITH CONCRETE FLOOR IN AREA WITH NO TILE.  
B. PROVIDE ONE DRAIN LINE FOR EACH BASIN FOR MULTI-BASIN PREP SINKS. NO MANIFOLDS PERMITTED.



9 OVERHEAD REFRIGERATION PIPING DETAIL NOT TO SCALE



4 SALES AREA CLEANOUT SECTION NOT TO SCALE



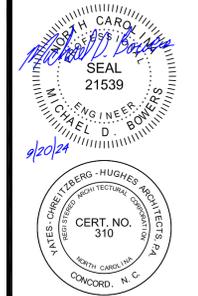
7 HUB DRAIN INSTALLATION DETAIL NOT TO SCALE

NOTES:  
1. THE COLOR FOR ALL WATER CLOSETS, URINALS AND LAVATORIES SHALL BE "WHITE."  
2. P-33 EMERGENCY EYE WASH STATION INSTALLED MOUNTED AT 36" AFF. SHOULD HAVE MIXING VALVE TO TEMPER WATER, FLOOR DRAIN NOT REQUIRED.  
3. VIT'S SHALL BE A MINIMUM OF 10' FROM ANY FRESH AIR INTAKE, COORDINATE AS REQUIRED WITH MECHANICAL CONTRACTOR AND MECHANICAL ROOF PLAN.  
FIXTURE NOTE:  
FOR PLUMBING FIXTURES MARKED P-10, P-11, P-14, P-15, P-21 & P-22 THE SINK TUBS SHALL BE FABRICATED WITH 16 GAUGE STAINLESS STEEL & THE DRAIN BOARDS SHALL BE FABRICATED WITH 14 GAUGE STAINLESS STEEL. SEE THE "FOOD LION" SINK SPECIFICATION FOR MORE INFORMATION.



7035 NORTHWINDS DR NW  
CONCORD, NC 28027  
704.700.2000 | ycharch.com

PROFESSIONAL SEALS:



OWNER/SHIP OF INSTRUMENTS OF SERVICE:  
All reports, specifications, plans, computer files, field data, files, and other information and instruments of service shall remain the property of the Design Professional. The Design Professional and shall retain all copyright, design and other reserved rights, including the copyright therein. This drawing is the property of YCH Architects and shall not be reproduced or copied in whole or any part. It is not to be used on any other project and is to be returned upon request. © Copyright 2024

CONSULTANT:  
**BOWERS CONSULTING, PA**  
1620 South MLK, Jr. Avenue - Suite 106  
Salisbury, NC 28144  
T: 704-650-0075 F: 704-650-0051  
NC REG. CORPORATION 04049  
CA FE CORPORATION 000974  
VA FE CORPORATION 00090424  
TN FE CORPORATION 0381

CLIENT:  
**FOOD LION**  
2110 Executive Drive  
Salisbury, NC 28148  
Ph: 704.633.6200

**FOOD LION**  
**STORE NO. 2654**  
**INTERIOR ALTERATIONS**  
610 East King Street | Kings Mountain, NC 28086

FL PROJECT NO.: 2654FLMP24

FILE NAME: 2654 P6.01\_00.dwg

YCHA COM. #: 22423.00

PHASE & DATE:  
**Construction Documents**  
**09-20-2024**

REVISIONS:

SHEET TITLE:  
**PLUMBING SCHEDULE**

PLUMBING:

**P6.01**